

Key Features & Benefits:

- Kelvin Selectable
- Self-Contained LED and Lens for Easy Install
- 0–10V Continuous Dimming
- 3/4" Knockouts on Both Sides for Continuous-Run Mounting
- Integrated Occupancy Sensor Capable

Project: _____

Date: _____

Catalog #: _____

Notes: _____

Product Specifications:

Wattage: 20W
 Selectable Kelvin: 3000K, 4000K, 5000K
 Lumens: 2,620
 Efficacy: 131
 Input Voltage Options: 120–277 VAC
 Input Frequency: 50/60 Hz
 Operating Temperature: -4°F to 104°F
 (-20°C to 40°C)
 Dimming: 0–10V
 CRI: >80
 Beam Angle: 110°
 Warranty: 5 Years
 Dimming 0–10V Drive Standard
 L70 Lifetime 150,000 Hours calculated per TM21
 Dimensions: 24.1" x 2.65" x 3.03"



Ordering Guide:

ESL	FAMILY	TYPE	LENGTH	WATTAGE	SELECTABLE KELVIN	OPTIONS
ESL	CSS <small>(CSS) Contractor Series Selectable</small>	800 <small>(800) Strip</small>	2 <small>(2) 2 Foot (4) 4 Foot (8) 8 Foot</small>	(yy) <small>(20W) 20W (2245W) 22W, 33W, 45W (3369W) 33W, 50W, 69W</small>	(xx) <small>(3050K) 3000K, 4000K, 5000K</small>	

FACTORY INSTALLED OPTIONS

EM9	Emergency backup battery unit, auto test function, 9 watts output, 90 minutes minimum, 120–277 VAC input, 10–300 VDC output, open terminal block wiring, UL listed for factory or field install, title 20
EM5	Emergency backup battery unit, auto test function, 5 watts output, 90 minutes minimum, 120–277 VAC input, 20–250 VDC output, closed lead wiring, UL listed for factory or field install
2DHOC	Stand alone daylight harvesting and occupancy sensor. Program with dip switch or REM-100

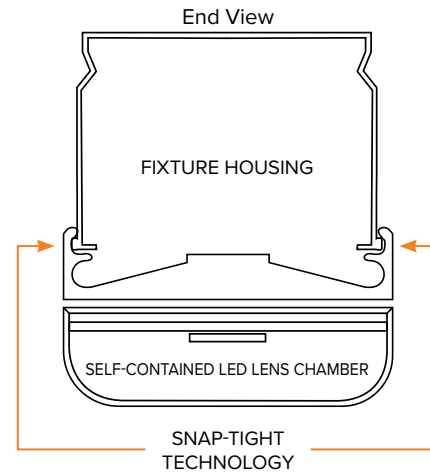
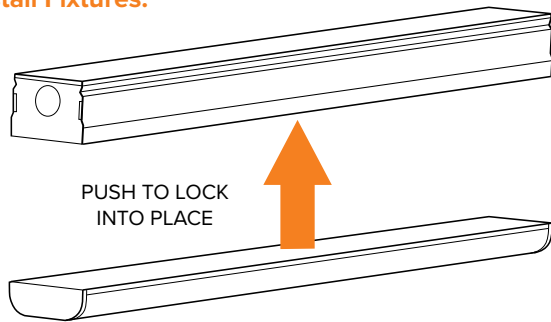
FIELD INSTALLED ACCESSORIES

ESL-JC20-4S	(2)10ft jack chain with (4) s-hooks (8ft fixture will need 2 sets)
ESL-REM-100	Hand held remote
ESL-CSS-800-2-WG	CSS 800 strip wire guard for 2ft
ESL-CSS-800-4-WG	CSS 800 strip wire guard for 4ft and 8ft (8ft fixture needs 2 sets)
ESL-CSS-800-CONT	CSS 800 strip connector for extension

Catalog Data:

ITEM#	SELECTABLE WATTAGE	SELECTABLE KELVIN	MAX LUMEN OUTPUT	MAX EFFICACY (lm/w)	INPUT VOLTAGE	DLC QPL CODE
2' SELECTABLE STRIP FIXTURE ESL-CSS-800-2-20W-3050K	20W	3000K, 4000K, 5000K	2,456	124	120–277 VAC	S-9MXGHK
4' SELECTABLE STRIP FIXTURE ESL-CSS-800-4-2245W-3050K	22W, 33W, 45W	3000K, 4000K, 5000K	5,201	118	120–277 VAC	S-A52V67
8' SELECTABLE STRIP FIXTURE ESL-CSS-800-8-3369W-3050K	33W, 50W, 69W	3000K, 4000K, 5000K	8,251	121	120–277 VAC	S-U0F5C8

Easy Install Fixtures:



Snap-Tight Technology—LED Lens Chamber snaps over fixture body and locks in to place. No Springs!

Self-Contained LED Lens Chamber—No Screws and No Bugs!

Electrical Load — Standard Voltage:

SYSTEM WATTS	INPUT CURRENT				INPUT WATTAGE	INPUT FREQUENCY	POWER FACTOR	THD	OPERATING TEMPERATURE	DIMMING
	120 VAC	208 VAC	240 VAC	277 VAC						
20	0.17	0.10	0.08	0.07	120–277 VAC	50/60 Hz	>0.9	<20%	-4°F to 104°F (-20°C to 40°C)	0–10V Dimming
22	0.18	0.11	0.09	0.08	120–277VAC	50/60 Hz	>0.9	<20%	-4°F to 104°F (-20°C to 40°C)	0–10V Dimming
33	0.28	0.16	0.14	0.12	120–277VAC	50/60 Hz	>0.9	<20%	-4°F to 104°F (-20°C to 40°C)	0–10V Dimming
45	0.38	0.22	0.19	0.16	120–27 7VAC	50/60 Hz	>0.9	<20%	-4°F to 104°F (-20°C to 40°C)	0–10V Dimming
50	0.42	0.24	0.21	0.18	120–277 VAC	50/60 Hz	>0.9	<20%	-4°F to 104°F (-20°C to 40°C)	0–10V Dimming
69	0.58	0.33	0.29	0.25	120–277VAC	50/60 Hz	>0.9	<20%	-4°F to 104°F (-20°C to 40°C)	0–10V Dimming

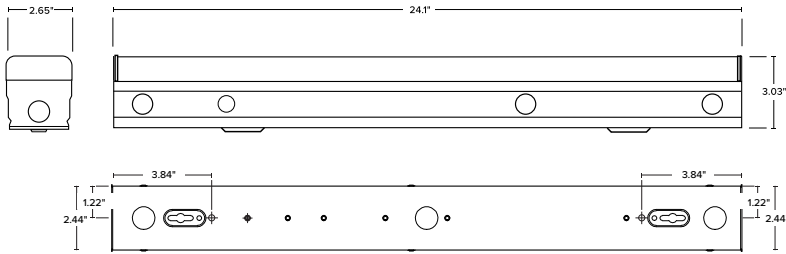
Lumen Ambient Temperature (LAT) Multipliers:

AMBIENT	LUMEN MULTIPLIER
0 °C 32 °F	1.02
10 °C 50 °F	1.01
20 °C 68 °F	1.00
25 °C 77 °F	1.00
30 °C 86 °F	1.00
40 °C 104 °F	0.99
50 °C 122 °F	0.96

Dimensions:

2 Foot

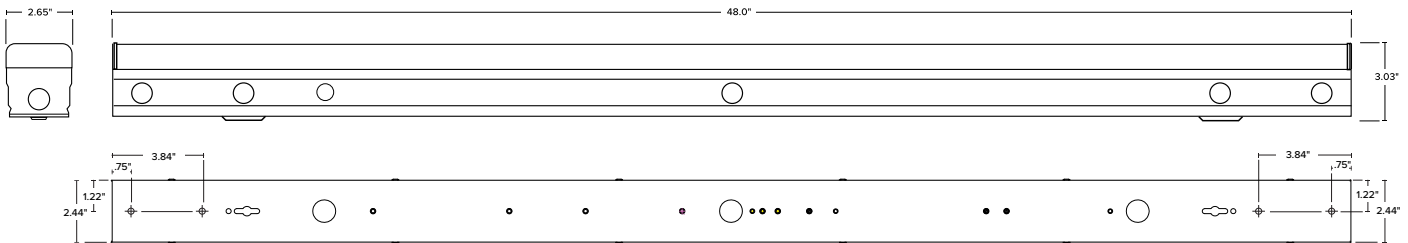
ESL-CSS-800-2-20W-3050K



Indicates location of holes that may be used for installation.

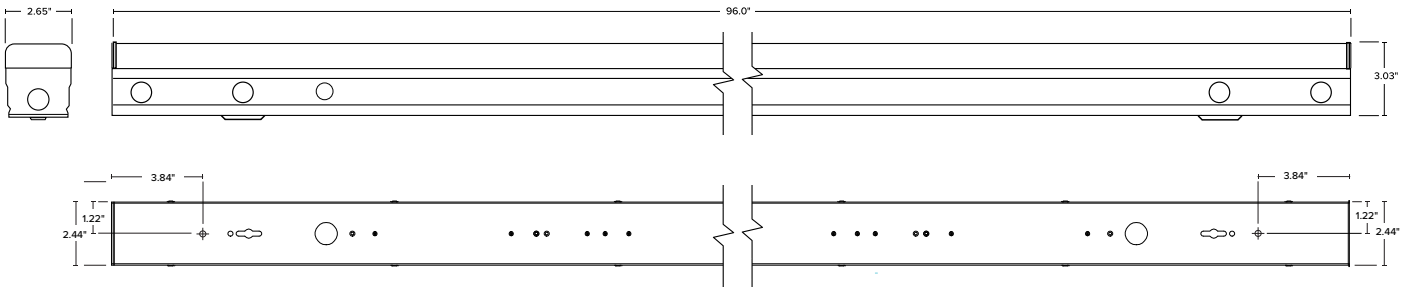
4 Foot

ESL-CSS-800-4-2245W-3050K

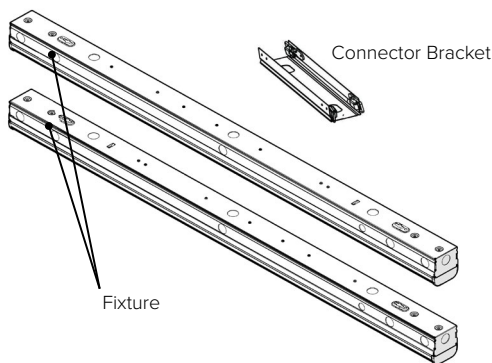


8 Foot

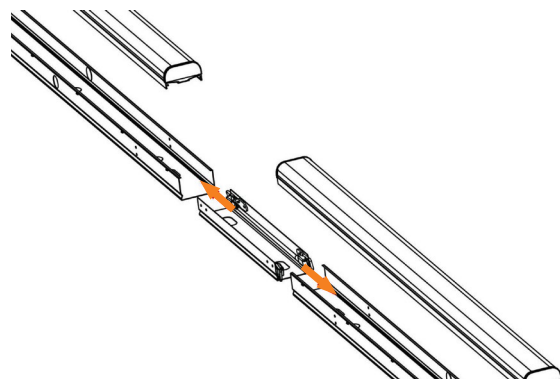
ESL-CSS-800-8-3369W-3050K



8 Foot Strip Installation



8 Foot Strips come with three pieces that will need to be assembled



Insert the connection bracket on the open sides of the fixture.