

### Key Features & Benefits:

- Multiple Mounting Options Designed to Retrofit
  - Street Lights
  - High Bays / Low Bays
  - Garage Lights
  - Shoe Box Fixtures
  - Wall Packs
- Utilize Existing Fixture
- 10 Year Warranty
- Optimized Pin Array Heatsink
- Overheat Shutdown
- L70 Lifetime >100,000 Hours
- Intelligent Thermal Control
- Compatible with Networked Lighting Control Qualified Systems



Project: \_\_\_\_\_ Date: \_\_\_\_\_

Catalog #: \_\_\_\_\_

Notes: \_\_\_\_\_



### Technical Specifications:

#### Light Specifications

- Lumen Output: Up to 13,901 Lumens
- Efficacy (lm/W): Up to 132 Lumens per Watt
- Kelvin: 3000K, 4000K, 5000K
- CRI: >75
- Rated Life (hrs): 100,000 Hours
- IES Classification: Fixture Dependant
- Dimensions (LxWxH): 6.8" x 4.9" x 2.6"
- Weight Without Driver (lbs): 1.05

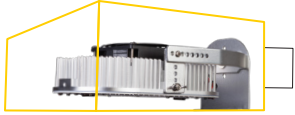
#### Driver Specifications

- Power: 105 Watts
- Input Voltage: 120-277 VAC | HV - 347-480 VAC
- Input Current @120V: 0.875A
- Input Current @277V: 0.38A
- Input Current @480V: 0.22A
- Operating Temperature: -40°F to 176°F (-40°C to 80°C)

\*Assembled in the USA option available upon request  
 Not All Part Numbers DLC Qualified. For a Complete Listing Please Consult the DLC Qualified Products List (QPL).

### Retrofit Kits for Outdoor Pole/Arm-Mounted Area and Roadway Luminaires

Integrated-style kits that replace all reflectors and optical systems of existing luminaires. Not screw-in "lamps" intended as HID replacements.

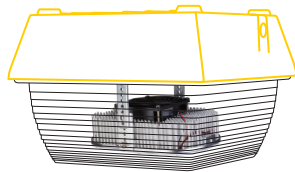


ITEM#	WATTS	LUMEN OUTPUT	EFFICACY (lm/W)	KELVIN	DLC QPL CODE (PREMIUM)
ESL-MUR-105W-330	105W	13,164	126	3000K	PXNMF2MF
ESL-MUR-105W-340	105W	13,533	129	4000K	PF6B3MHT
ESL-MUR-105W-350	105W	13,901	132	5000K	PEP5JSKS
ESL-MUR-105W-330-HV	105W	12,831	122	3000K	PCFPMY6F
ESL-MUR-105W-340-HV	105W	13,128	125	4000K	P6ZB9HQS
ESL-MUR-105W-350-HV	105W	13,434	128	5000K	PRSRK2AW



### Retrofit Kits for Fuel Pump Canopy Luminaires

Integrated-style kits that replace all reflectors and optical systems of existing luminaires. Not screw-in "lamps" intended as HID replacements.

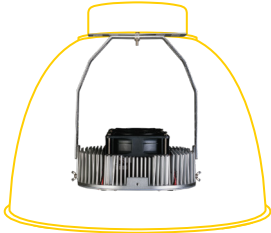


ITEM#	WATTS	LUMEN OUTPUT	EFFICACY (lm/W)	KELVIN	DLC QPL CODE (STANDARD)
ESL-MUR-105W-330	105W	13,298	128	3000K	PA029GCY
ESL-MUR-105W-340	105W	13,576	130	4000K	PQ2HQL77
ESL-MUR-105W-350	105W	13,853	132	5000K	PT4HK5VN
ESL-MUR-105W-330-HV	105W	12,975	124	3000K	PW9VB0M0
ESL-MUR-105W-340-HV	105W	13,182	126	4000K	PQZTGD62
ESL-MUR-105W-350-HV	105W	13,400	128	5000K	P9D6B5C6



### Retrofit Kits for High-Bay Luminaires for Commercial and Industrial Buildings

Integrated-style kits that replace all reflectors and optical systems of existing luminaires. Not screw-in "lamps" intended as HID replacements



ITEM#	WATTS	LUMEN OUTPUT	EFFICACY (lm/W)	KELVIN	DLC QPL CODE (STANDARD)
ESL-MUR-105W-330	105W	12,794	124	3000K	PY2LBQ1H
ESL-MUR-105W-340	105W	13,212	128	4000K	P2ZJOT5M
ESL-MUR-105W-350	105W	13,630	132	5000K	PLT389PO
ESL-MUR-105W-330-HV	105W	12,483	121	3000K	P427CIRQ
ESL-MUR-105W-340-HV	105W	12,842	124	4000K	PL45HORD
ESL-MUR-105W-350-HV	105W	13,209	128	5000K	P6AUNFQ6

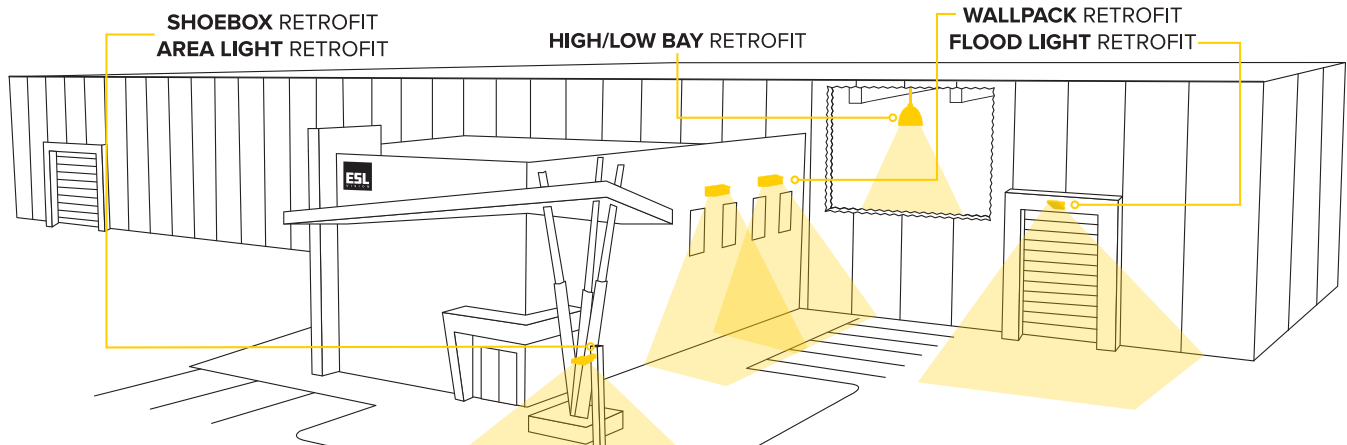


### Retrofit Kits for Outdoor Full-Cutoff Wall-Mounted Luminaires

Integrated-style kits that replace all reflectors and optical systems of existing luminaires. Not screw-in "lamps" intended as HID replacements

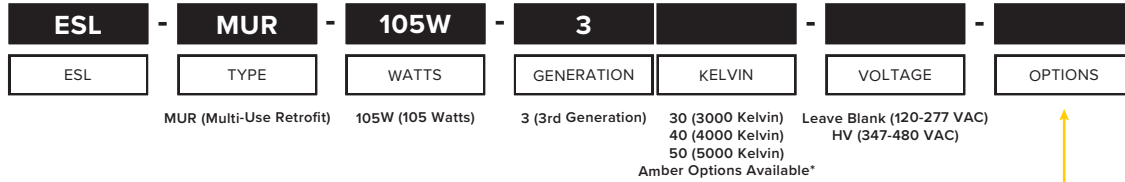


ITEM#	WATTS	LUMEN OUTPUT	EFFICACY (lm/W)	KELVIN	DLC QPL CODE (STANDARD)
ESL-MUR-105W-330	105W	12,176	118	3000K	P7WFBFOW
ESL-MUR-105W-340	105W	12,574	122	4000K	P7B2A0YS
ESL-MUR-105W-350	105W	12,971	125	5000K	P8IZHDZU
ESL-MUR-105W-330-HV	105W	11,892	115	3000K	P4Q9XNMX
ESL-MUR-105W-340-HV	105W	12,234	118	4000K	PLCUBUSN
ESL-MUR-105W-350-HV	105W	12,571	122	5000K	PTES8HOM



### Ordering Guide:

Example Part Number: **ESL-MUR-105W-330-HV**



\*Please see [www.eslvision.com](http://www.eslvision.com) for more details

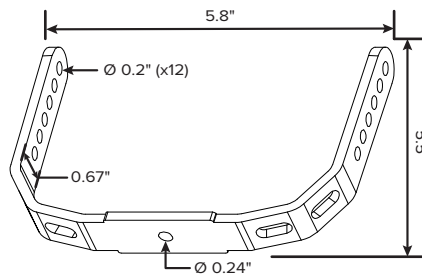
### Options (Add as Suffix):

- ESL-3OCC
  - ESL-3OCCB
  - ESL-4OCC-LDD
  - ESL-SPD-277-1
  - ESL-REM-100
- IP65 0-10v Dimming Sensor. 8'- 50' Mounting, Wire From Side  
 IP65 0-10v Dimming Sensor. 8'- 50' Mounting, Wire From Top  
 Photocell/Occupancy Sensor for Standard Mounting, Dip Switch, 0-10v  
 Hard Wire Surge Protector; (100-277 VAC) Max Discharge Current: 20kA  
 Hand Held Remote to Program 2OCC-HDD, 3OCC/B and 4OCC-LDD

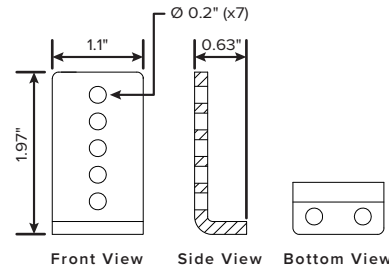
### What's Included:

- (1) LED MUR
- (1) LED Outdoor Driver
- Assembled Mounting Hardware
  - U-Bracket
  - L-Bracket
- Additional Mounting Hardware
  - Hanger Block
  - L-Plate
  - Small Plate
  - Large Plate

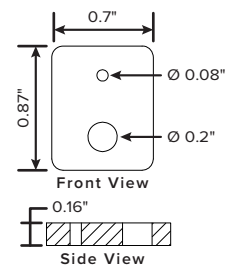
**U-Bracket**



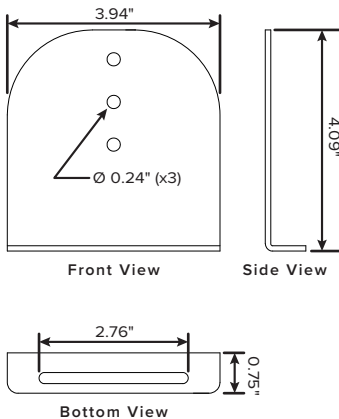
**L-Bracket**



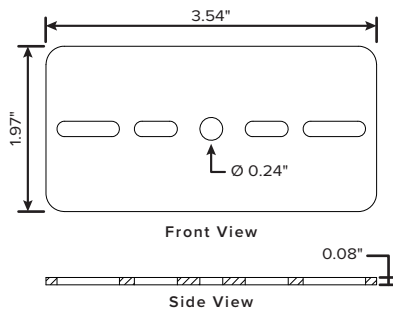
**Hanger Block**



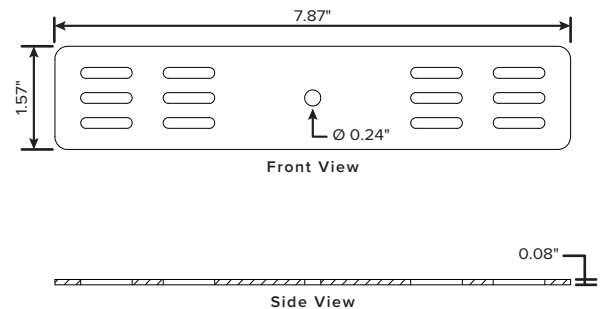
**L-Plate**



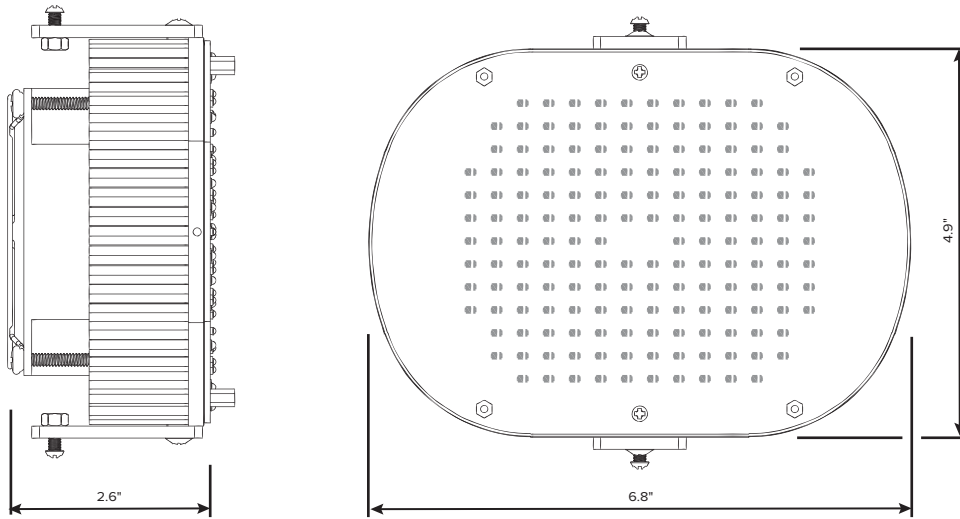
**Small Plate**



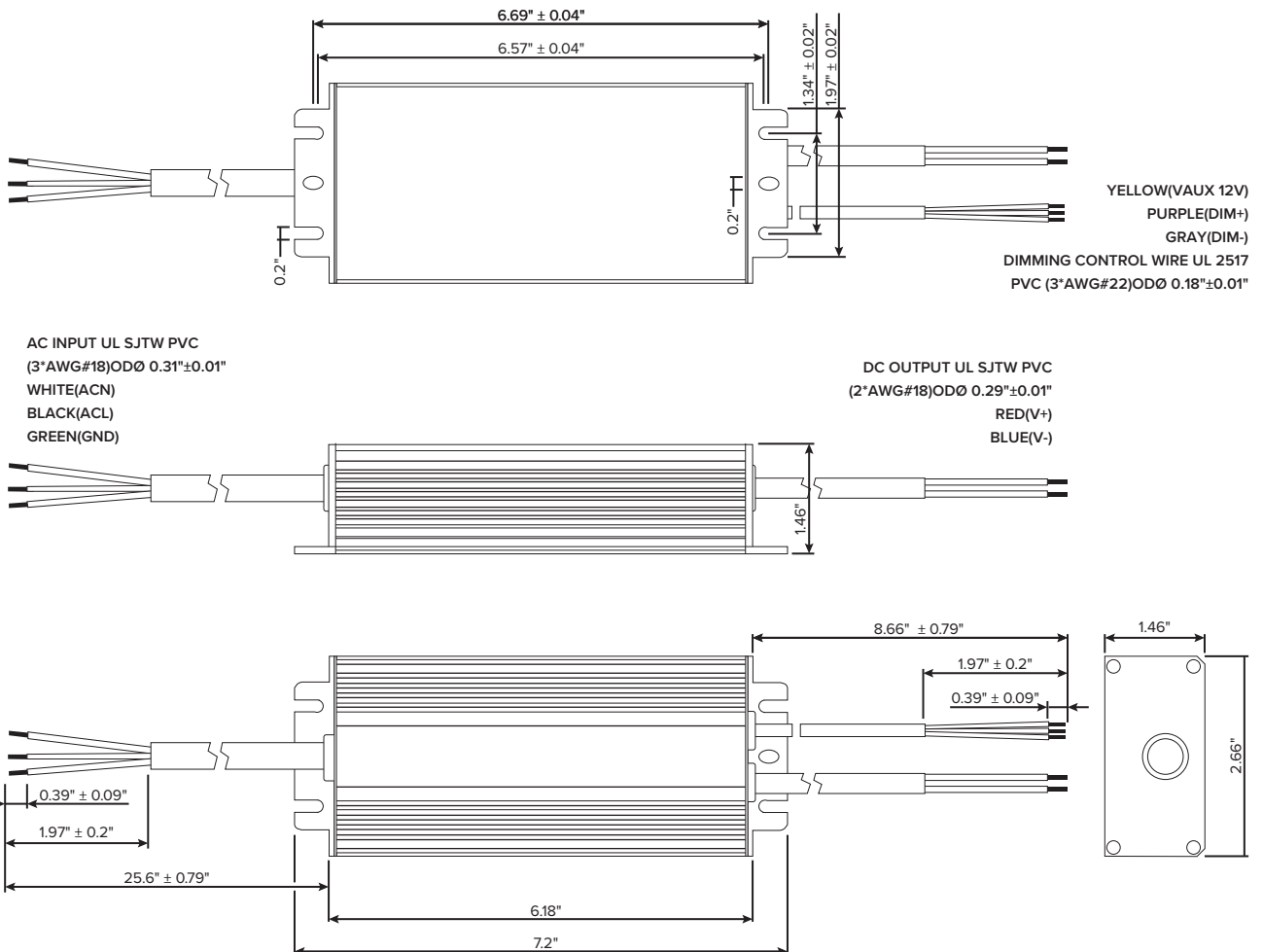
**Large Plate**



### Dimensions:



### Standard Driver Dimensions:



### High Voltage Driver Dimensions:

