

Key Features & Benefits:

- Multiple Mounting Options Designed to Retrofit
 - Street Lights
 - High Bays / Low Bays
 - Garage Lights
 - Shoe Box Fixtures
 - Wall Packs
- Utilize Existing Fixture
- 10 Year Warranty
- Optimized Pin Array Heatsink
- Overheat Shutdown
- L70 Lifetime >100,000 Hours
- Intelligent Thermal Control
- Compatible with Networked Lighting Control Qualified Systems



Project: _____

Date: _____

Catalog #: _____

Notes: _____



Technical Specifications:

Light Specifications

- Lumen Output: Up to 10,008 Lumens
- Efficacy (lm/W): Up to 135 Lumens per Watt
- Kelvin: 3000K, 4000K, 5000K
- CRI: >75
- Rated Life (hrs): 100,000 Hours
- IES Classification: Fixture Dependant
- Dimensions (LxWxH): 6.8" x 4.9" x 2.6"
- Weight Without Driver (lbs): 1.05

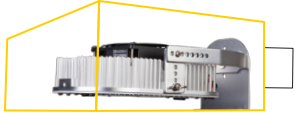
Driver Specifications

- Power: 75 Watts
- Input Voltage: 120-277 VAC | HV - 347-480 VAC
- Input Current @120V: 0.625A
- Input Current @277V: 0.27A
- Input Current @480V: 0.16A
- Operating Temperature: -40°F to 176°F (-40°C to 80°C)

*Assembled in the USA option available upon request
 Not All Part Numbers DLC Qualified. For a Complete Listing Please Consult the DLC Qualified Products List (QPL).

Retrofit Kits for Outdoor Pole/Arm-Mounted Area and Roadway Luminaires

Integrated-style kits that replace all reflectors and optical systems of existing luminaires. Not screw-in "lamps" intended as HID replacements.

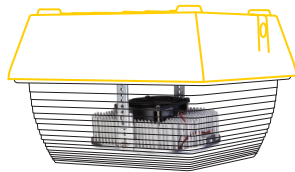


ITEM#	WATTS	LUMEN OUTPUT	EFFICACY (lm/W)	KELVIN	DLC QPL CODE (PREMIUM)
ESL-MUR-75W-330	75W	9,452	129	3000K	PVWHF7PQ
ESL-MUR-75W-340	75W	9,730	132	4000K	PQT8H7X5
ESL-MUR-75W-350	75W	10,008	135	5000K	P1JKKA8C
ESL-MUR-75W-330-HV	75W	9,469	129	3000K	P18HFJYG
ESL-MUR-75W-340-HV	75W	9,703	132	4000K	P7VXZ239
ESL-MUR-75W-350-HV	75W	9,936	135	5000K	PXLV88NJ



Retrofit Kits for Fuel Pump Canopy Luminaires

Integrated-style kits that replace all reflectors and optical systems of existing luminaires. Not screw-in "lamps" intended as HID replacements.

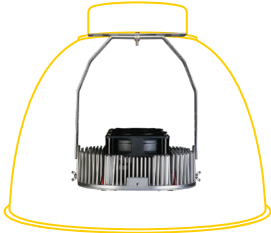


ITEM#	WATTS	LUMEN OUTPUT	EFFICACY (lm/W)	KELVIN	DLC QPL CODE (STANDARD)
ESL-MUR-75W-330	75W	9,573	131	3000K	PA10BGQ7
ESL-MUR-75W-340	75W	9,774	134	4000K	PZYSYRH5
ESL-MUR-75W-350	75W	9,974	136	5000K	PU1PKK8A
ESL-MUR-75W-330-HV	75W	9,613	131	3000K	P6ZLUL79
ESL-MUR-75W-340-HV	75W	9,781	134	4000K	PVFXNJCG
ESL-MUR-75W-350-HV	75W	9,949	136	5000K	PZ6E0MEQ



Retrofit Kits for Low-Bay Luminaires for Commercial and Industrial Buildings

Integrated-style kits that replace all reflectors and optical systems of existing luminaires. Not screw-in "lamps" intended as HID replacements



ITEM#	WATTS	LUMEN OUTPUT	EFFICACY (lm/W)	KELVIN	DLC QPL CODE (STANDARD)
ESL-MUR-75W-330	75W	9,052	127	3000K	PXNZ5N6E
ESL-MUR-75W-340	75W	9,315	130	4000K	PYC44JRR
ESL-MUR-75W-350	75W	9,578	133	5000K	PNS97I9O
ESL-MUR-75W-330-HV	75W	9,147	127	3000K	PAWBVKH7
ESL-MUR-75W-340-HV	75W	9,388	130	4000K	PYJNCW2J
ESL-MUR-75W-350-HV	75W	9,628	133	5000K	PIKCTCWD

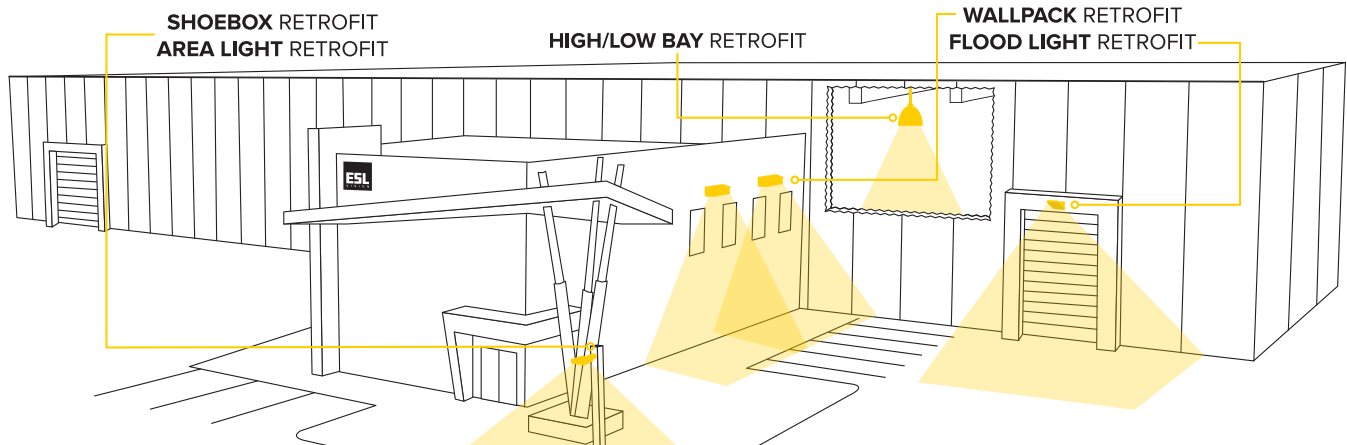


Retrofit Kits for Outdoor Full-Cutoff Wall-Mounted Luminaires

Integrated-style kits that replace all reflectors and optical systems of existing luminaires. Not screw-in "lamps" intended as HID replacements

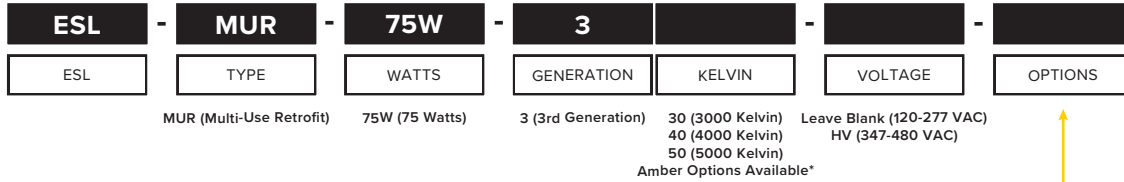


ITEM#	WATTS	LUMEN OUTPUT	EFFICACY (lm/W)	KELVIN	DLC QPL CODE (STANDARD)
ESL-MUR-75W-330	75W	8,762	121	3000K	POX2IUT9
ESL-MUR-75W-340	75W	8,890	124	4000K	P4JE6FRU
ESL-MUR-75W-350	75W	9,107	127	5000K	PIDZD16F
ESL-MUR-75W-330-HV	75W	8,771	121	3000K	PZTFFDM1
ESL-MUR-75W-340-HV	75W	8,973	124	4000K	P2WVXNOW
ESL-MUR-75W-350-HV	75W	9,175	127	5000K	PII6J1DW



Ordering Guide:

Example Part Number: **ESL-MUR-75W-330-HV**



*Please see www.eslvision.com for more details

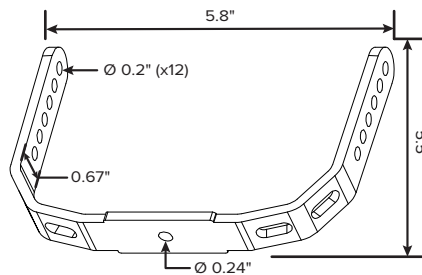
Options (Add as Suffix):

- ESL-3OCC
 - ESL-3OCCB
 - ESL-4OCC-LDD
 - ESL-SPD-277-1
 - ESL-REM-100
- IP65 0-10v Dimming Sensor. 8'- 50' Mounting, Wire From Side
 IP65 0-10v Dimming Sensor. 8'- 50' Mounting, Wire From Top
 Photocell/Occupancy Sensor for Standard Mounting, Dip Switch, 0-10v
 Hard Wire Surge Protector; (100-277 VAC) Max Discharge Current: 20kA
 Hand Held Remote to Program 2OCC-HDD, 3OCC/B and 4OCC-LDD

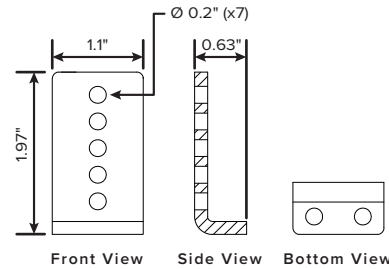
What's Included:

- (1) LED MUR
- (1) LED Outdoor Driver
- Assembled Mounting Hardware
 - U-Bracket
 - L-Bracket
- Additional Mounting Hardware
 - Hanger Block
 - L-Plate
 - Small Plate
 - Large Plate

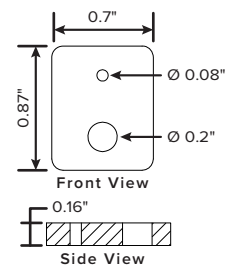
U-Bracket



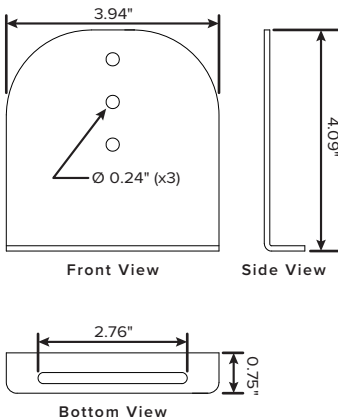
L-Bracket



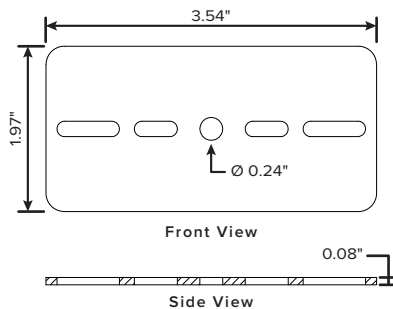
Hanger Block



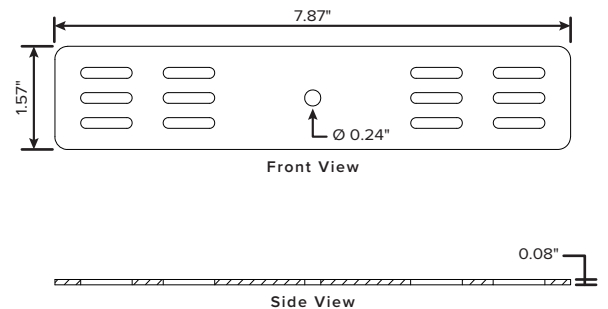
L-Plate



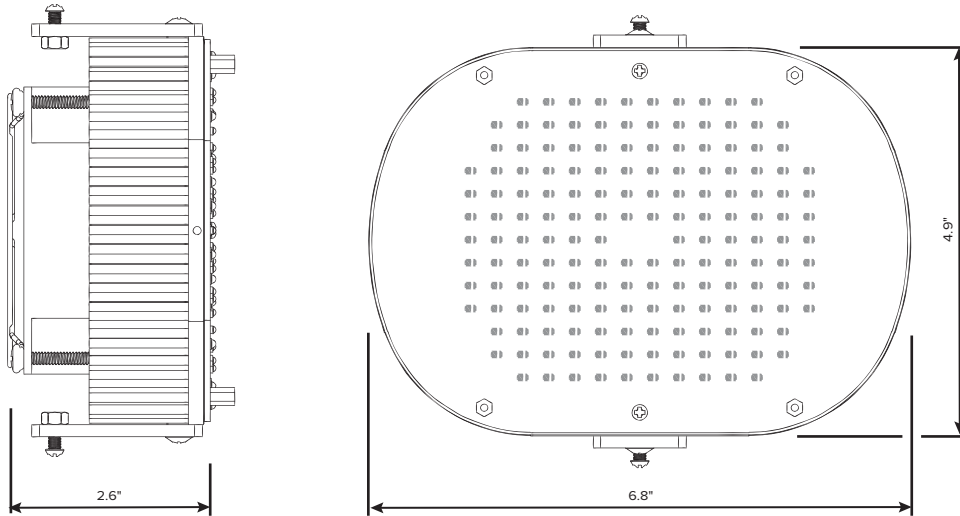
Small Plate



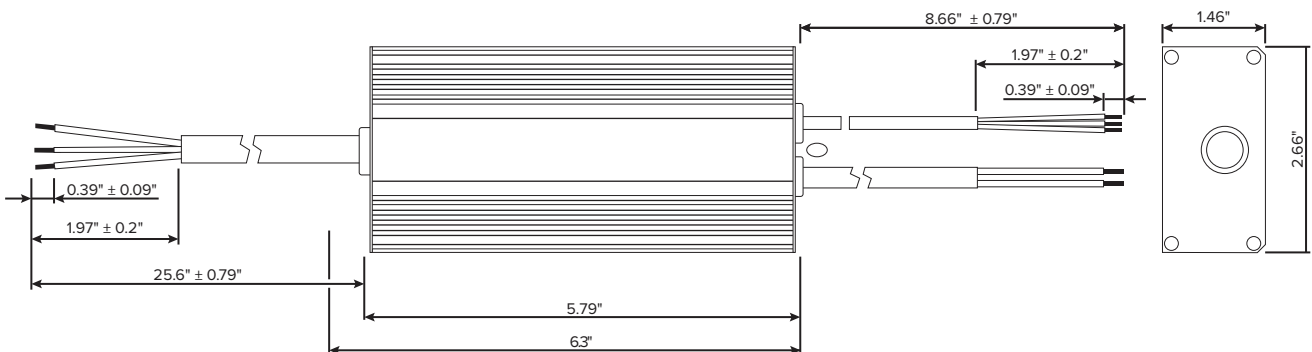
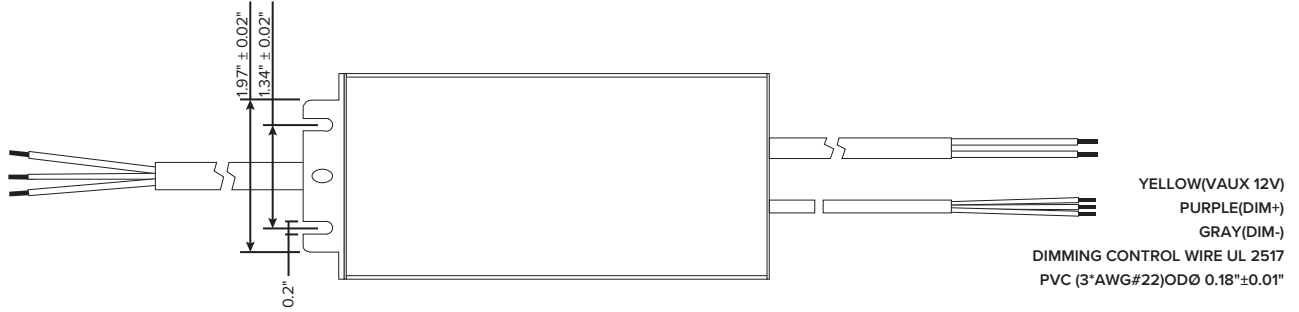
Large Plate



Dimensions:



Standard Driver Dimensions:



High Voltage Driver Dimensions:

