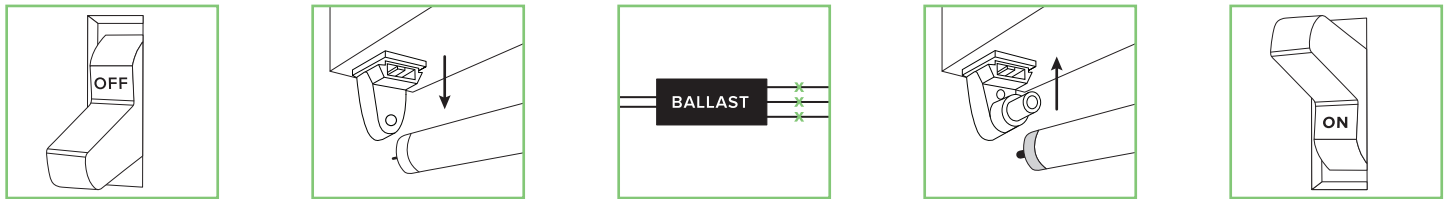


WARNING

1. Installation should only be done by a licensed electrician
2. For indoor use only in damp or dry locations only
3. Not Suitable for wet or outdoor locations
4. Tombstones must be in good working condition with no damage prior to installation
5. LED tube must be properly seated in the tombstone to work correctly
6. Not suitable for use in emergency exits
7. Not suitable for use with dimmer

INSTALLATION INSTRUCTIONS (TYPE B)



1. Disconnect power
2. Remove diffuser (if installed) and ballast cover
3. Remove existing fluorescent tubes and discard or recycle according to your local regulations
4. Cut wires leading to existing ballast
5. Rewire power according to the diagram below
6. Reinstall ballast cover
7. Install LED tubes according to **Fig 1**.
8. Place provided re-lamping label onto fixture
9. Replace diffuser (if provided)
10. Restore power

WIRING DIAGRAMS

Single Pin Fa8

Fig 1. Double Ended Connection

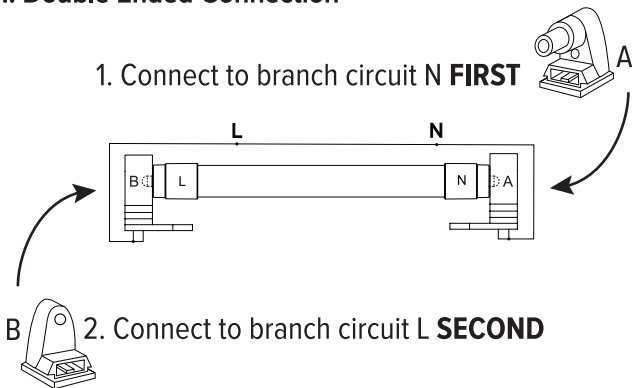


Fig 2. Retrofit with One Lamp

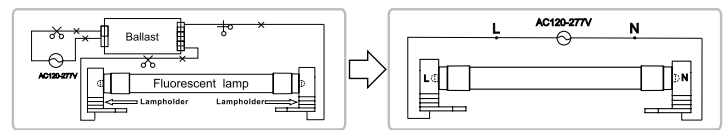


Fig 3. Retrofit with Two Lamps

