



ROSWELL SERIES

ROUND HIGH BAY – INDOOR FIXTURE



A ROUND HIGH BAY THAT'S OUT OF THIS WORLD

Built to withstand the harshest of conditions, ESL Vision's Roswell Series is the most versatile round high bay on the market.

This RHB is suitable for wet conditions, rated for 140°F ambient temperatures, and can be easily upgraded for wireless network controlling which makes it the perfect choice for any large area.



Available in White, Bronze or Black Finishes





Konex Power Pack Offers Real-time Power Statistics.

Easy Field Installation of Occupancy Sensor or Konex Power Pack Requires No Extra Wiring With Removable Center Shorting Cap.



Wattage Adjustable 100W/120W/150W/200W

Field Adjustable via Mechanical Dial



Extra-long 6 Foot Cord

Optional Conduit Mounting for Clean, Cordless Look



EASY MANAGEMENT WITH PLUG AND PLAY CONTROLS AND SENSORS

ESL Vision offers both standard sensors and Konex networking sensors, each offering a unique wireless method of field installation and programming.

For Group Control:

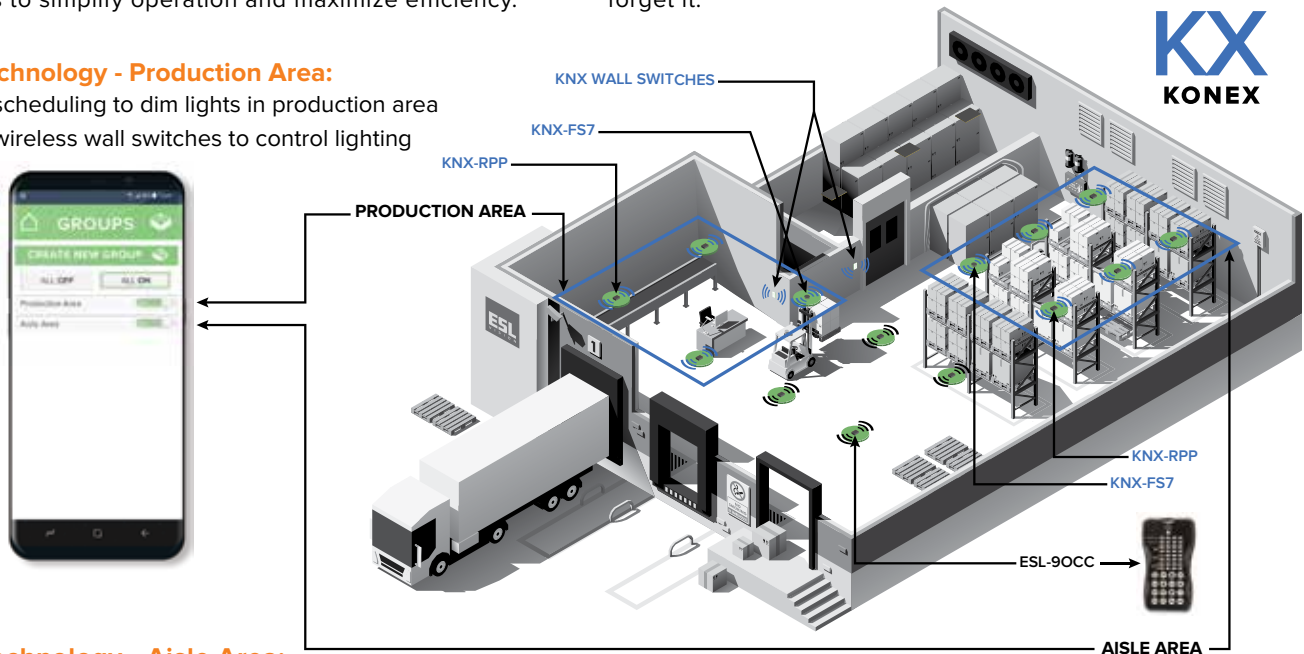
Konex is a family of maintenance-free occupancy sensors, photocells and switches that are code compliant and equipped with Bluetooth Mesh Technology which allows them to communicate wirelessly with the ESL Network Lighting App. Create groups, automated scenes and even timed schedules to simplify operation and maximize efficiency.

For Individual Control:

Single fixture control to maximize energy efficiency without networking is quick and simple with the 9OCC Occupancy Sensor. Compatible with both the Lensed High Bay and Round High Bay, adding the sensor is easy with twist-lock installation and remote programming so you can set it and forget it.

Konex Technology - Production Area:

- Use scheduling to dim lights in production area
- Use wireless wall switches to control lighting



Konex Technology - Aisle Area:

- Group fixtures for operation by a single occupancy sensor
- Easily create multiple groups to control specific locations or the entire area

Keep it Simple Without Networking:

- The ESL-9OCC is an occupancy sensor to operate only the fixture in which it is installed. Great for basic On/Off or Dim to Off control.
- Program this sensor with the REM-100 remote (sold separately)

GROUPING DIAGRAMS

Scenario 1: Warehouse: Grouping with Multiple Sensors



The fixtures at the end of each aisle have an FS7 occupancy sensor installed. The remaining fixtures in each aisle have an RPP power pack installed. Each aisle is placed into a group and will be controlled by the FS7 occupancy sensor within the group.

GROUP: WAREHOUSE A

Contains all fixtures and FS7 in the first aisle.

GROUP: WAREHOUSE B

Contains all fixtures and FS7 in the second aisle.

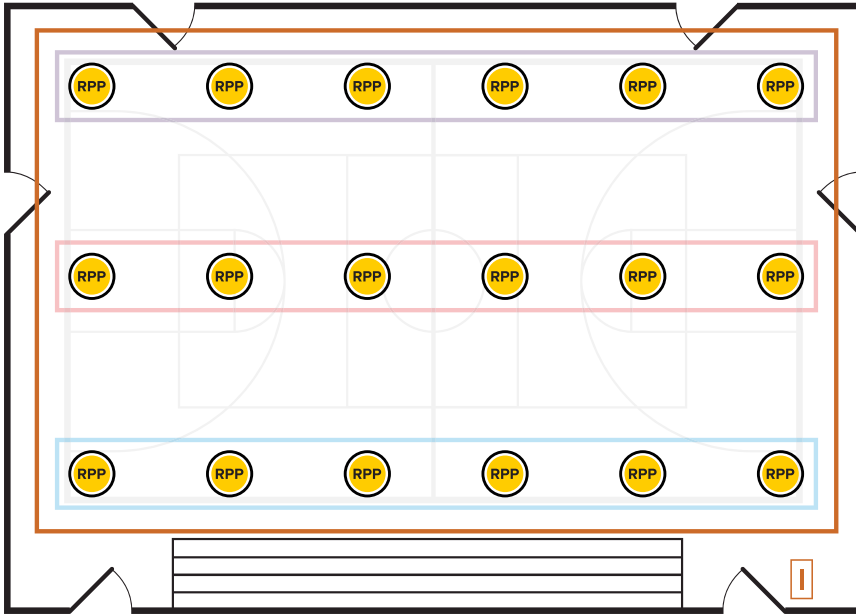
GROUP: WAREHOUSE C

Contains all fixtures and FS7 in the third aisle.

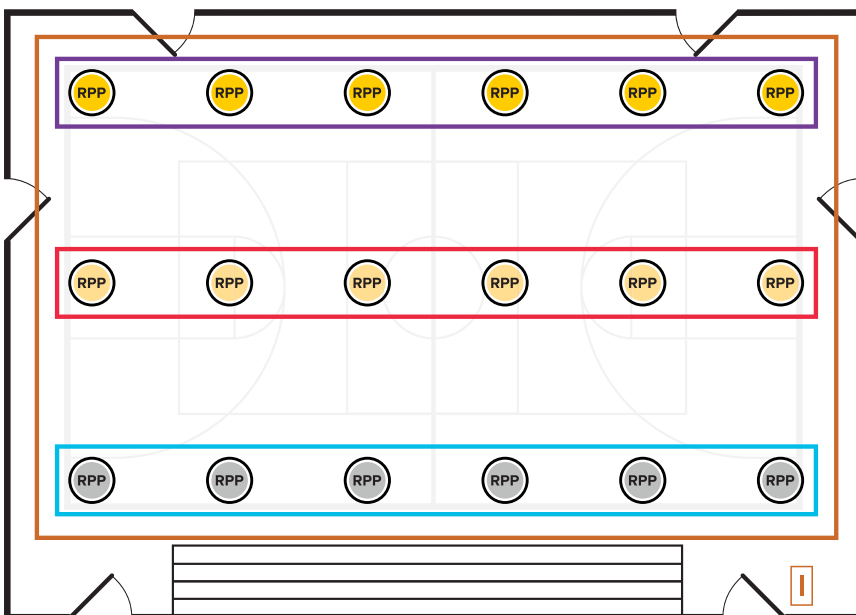
FRONT BAY: FIXTURES WITH 9OCC

All the fixtures in the bay have individual sensors that are not networked. They each work independently and are programmed with the REM-100 remote.

Scenario 2: Gymnasium / Multipurpose Room.



All of the fixtures have an RPP power pack sensor installed for networking capabilities. When they are all are placed in a group with a switch, the entire space can be operated with a single click.



GROUP: GYM

Contains all fixtures in the room with the switch

GROUP: GYM-1

Contains first row of fixtures. Set to OFF.

GROUP: GYM-2

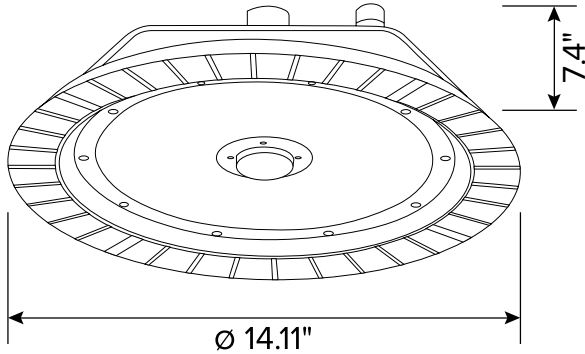
Contains second row of fixtures. Set to 50%.

GROUP: GYM-3

Contains third row of fixtures. Set to 100%

For varied lighting needs, additional groups are created within the main group for more precise control. Each of the groups can be controlled individually from the ESL Network Lighting App.

FIXTURE DIMENSIONS



AVAILABLE ACCESSORIES



COMPARE ROSWELL TO THE COMPETITION

	ESL Vision Roswell	MFR A	MFR B	MFR C	MFR D
Field Adjustable Wattage	YES	⊖	⊖	⊖	⊖
DLC Premium	YES	✓	✓	✓	✓
Field Installable Occupancy Sensors	YES	⊖	✓	✓	⊖
Field Installable Network Sensors	YES	⊖	⊖	⊖	⊖
Emergency Backup Options	YES	⊖	⊖	⊖	✓
Standard 6' Cord Set	YES	⊖	✓	⊖	✓
Quick Ship Factory Installed Cord Sets with Plugs	YES	⊖	⊖	⊖	⊖
Wire Guards	YES	✓	✓	⊖	✓
Reflector Option	YES	✓	✓	⊖	✓
Available in White, Black and Bronze Finishes	YES	⊖	⊖	⊖	⊖
6kV Surge Protection	YES	⊖	⊖	⊖	⊖
140° Ambient Rating	YES	⊖	⊖	⊖	⊖
3/4" NPT Adapter	YES	⊖	⊖	✓	✓
7 Year Warranty	YES	⊖	⊖	⊖	⊖
Multiple Beam Angle Options	YES	⊖	⊖	✓	⊖
480V Option	Q1 2021	⊖	⊖	✓	⊖

ORDERING GUIDE

FACTORY INSTALLED

ESL	-	RHB	-	100200W	-	1	(xx)	-		-		-		-		-	
ESL	-	TYPE	-	ADJUSTABLE WATTAGE	-	GENERATION	KELVIN	-	FINISH	-	LENS	-	OPTIONS*				
		RHB (Round High Bay)		100200W (100W, 120W, 150W, 200W)		1 (1st Generation)	40 (4000K) 50 (5000K)		BK (Black) WH (White) BZ (Bronze)		120 Degrees Default 60 Degrees		CS3W6P CS3B6P CS3B6TL5 CS3B6TL6 CS3B6TL7				

*Options (Factory Installed):

CORD SETS:

CS3W6P - Cord Set, 3 Conductor, 18 Gauge, White, 6 Foot Length, Straight Blade Plug

CS3B6P - Cord Set, 3 Conductor, 18 Gauge, Black, 6 Foot Length, Straight Blade Plug

CS3B6TL5 - Cord Set, 3 Conductor, 18 Gauge, Black, 6 Foot Length, Twist lock, Nema L5-15 (120V)

CS3B6TL6 - Cord Set, 3 Conductor, 18 Gauge, Black, 6 Foot Length, Twist lock, Nema L6-15 (240V)

CS3B6TL7 - Cord Set, 3 Conductor, 18 Gauge, Black, 6 Foot Length, Twist lock, Nema L7-15 (277V)

EMERGENCY BBU:

EM30 (ESL-EMG-HB1-CWR-30W) - Emergency Backup Battery Unit, Auto Test Function, 30 Watts Ouput, 90 Minutes Min, 100-347VAC Input, 180VDC Ouput, Closed Cylinder Wet Rated, UL Listed for Factory or Field install, Title 20

Accessories (Field Installed):

SENSORS:

ESL-KNX-FS7-RPP

ESL-KNX-RPP-003

ESL-9OCC-LV-HDD

MOUNTING:

ESL-RHB1-CMA

ESL-RHB1-EBLT

ESL-RHB1-6SCBL

WIRE GUARDS:

ESL-RHB1-WG

REFLECTORS:

ESL-RHB1-ARF-90



PRODUCTS	LENS	WATTAGE (yy)	lm/W	LUMEN OUTPUT	KELVIN (xx)
ESL-RHB-100200W-140-BK-120D ESL-RHB-100200W-150-BK-120D	120 Degrees	100W-200W	140 145	28,000 29,000	4000K (40) 5000K (50)
ESL-RHB-100200W-140-WH-120D ESL-RHB-100200W-150-WH-120D	120 Degrees	100W-200W	140 145	28,000 29,000	4000K (40) 5000K (50)
ESL-RHB-100200W-140-BZ-120D ESL-RHB-100200W-150-BZ-120D	120 Degrees	100W-200W	140 145	28,000 29,000	4000K (40) 5000K (50)



WWW.ESLVISION.COM

888.493.5559

Headquarters
1136 S 3600 W
Salt Lake City, UT, USA

Atlanta
6371 Corley Road
Norcross, GA, USA

Questions or Comments
www.eslvision.com
customerservice@eslvision.com
ESL Vision, LLC
1136 S 3600 W
Salt Lake City, UT, USA

Catalog# RHB-2021