

Performance Overview:

Wattage: 75
 Lumen Output: Up to 12,046 Lumens
 Efficacy (lm/W): Up to 159 Lumens per Watt
 Kelvin: 3000K, 4000K, 5000K
 CRI: >80



Project: _____ Date: _____
 Catalog #: _____
 Notes: _____



Key Features & Benefits:

- Rotatable Lens
- Innovative Mounting Hardware Allows for Single Person Installation
- Multiple Stocked Finish Options (White, Bronze, Black, Grey)
- Multiple Stocked Kelvins (3000K, 4000K, 5000K)
- Tool-less Entry to Easily Access Fixture Components



Ordering Guide:

| ESL | AL | 75W | 2 | | | | | | | |
|-----------------|------|-------------|--|---|--|--|--|----------------------------------|---------|----------|
| ESL | TYPE | WATTS | GENERATION | KELVIN | VOLTAGE | FINISH* | MOUNT | LENS | OPTIONS | CONTROLS |
| AL (Area Light) | 75W | 2 (2nd Gen) | 30 (3000 Kelvin) 40 (4000 Kelvin) 50 (5000 Kelvin) | Blank (120-277 VAC) HV (247-480 VAC) | BZ (Bronze) BK (Black) GR (Grey) WH (White) | FDM (Fixed Direct Mount) FRDM4 (Fixed Round Direct Mount 4") FRDM5 (Fixed Round Direct Mount 5") DM (Direct Mount) RDM4 (Round Direct Mount 4") RDM5 (Round Direct Mount 5") SF (Slip Fitter) YM (Yoke Mount) | T3 (Type 3) T3R (Type 3 Right) T3L (Type 3 Left) T4 (Type 4 Standard) T4R (Type 4 Right) T4L (Type 4 Left) T5 (Type 5) | Blank (none) BS (Bird Spikes) | | |

*Contact Factory for custom finish options

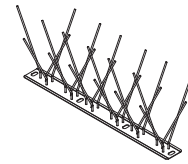
| Controls |
|-----------------|
| OCC (Occupancy) |
| PC (Photocell) |

For occupancy, photocell and receptacle information please see page 3

Accessories Ordering Guide:

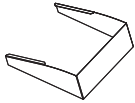
| | | | | |
|------------|------------|---|-----------------------------|--|
| ESL | AL2 | | | |
| ESL | TYPE | SHIELD TYPE | SIZE | FINISH |
| | AL2 | FSS (Front Street Side Shield) FBS (Full Body Shield) HSS (House Side Shield) | S (75-150W) L (200-320W) | BZ (Bronze) BK (Black) GR (Grey) WH (White) |

| |
|--------------------------------------|
| Options (Order Separately) |
| ESL-AL2-BS (Area Light Bird Spikes) |
| ESL-REM-100 (Remote to Control 80CC) |



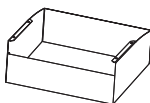
Bird Spikes
(ESL-AL2-BS)

Remote
(ESL-REM-100)



Front Street Side Shield*

*See page 10 for dimensions

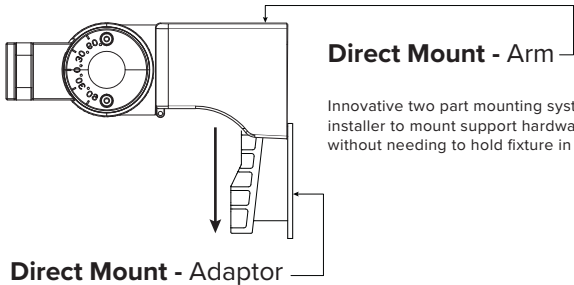


Full Body Shield*

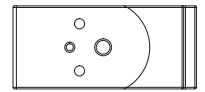
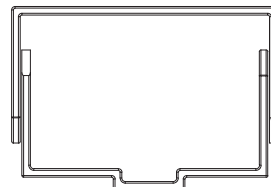


House Side Shield*

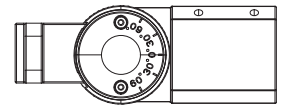
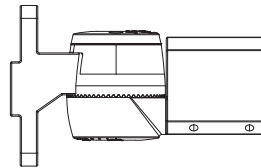
Mount Options:



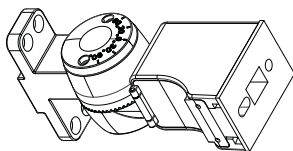
Yoke Mount



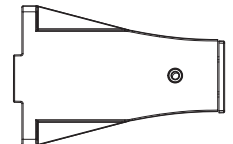
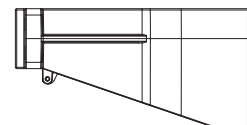
Slip Fitter



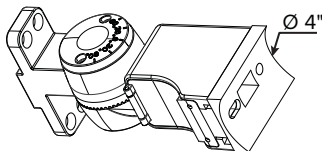
Direct Mount - Square



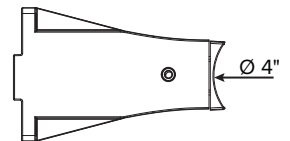
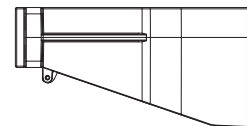
Fixed Direct Mount - Square



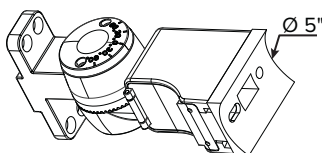
Round Direct Mount - 4"



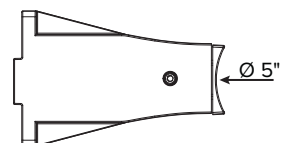
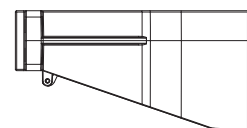
Fixed Round Direct Mount - 4"

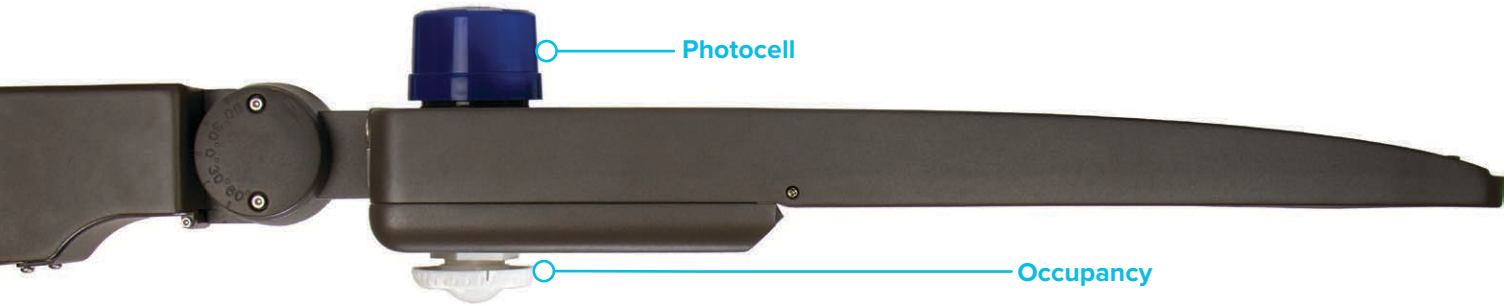


Round Direct Mount - 5"

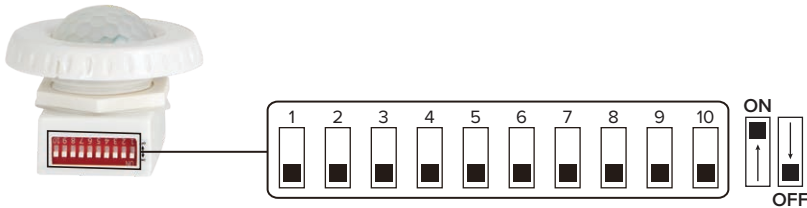


Fixed Round Direct Mount - 5"





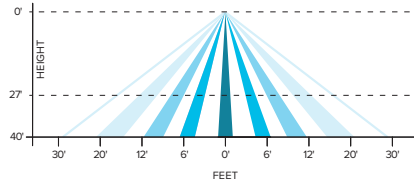
Occupancy Options:



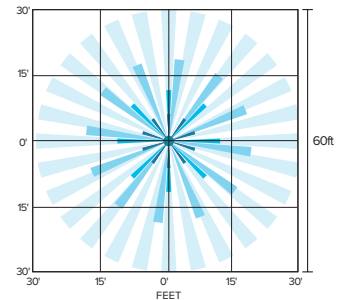
| DIP SWITCH PROGRAMMING: | | | | | | STANDY-BY | | | | | | | | |
|-------------------------|-----|------|-----|-----|-------|-----------|-----|-------|-----|-----|-----|-----|-----|-------|
| 1 | 2 | % | 3 | 4 | ⊕ | 5 | 6 | lux | 7 | 8 | % | 9 | 10 | ⊕ |
| OFF | OFF | 20% | OFF | OFF | 10s | OFF | OFF | * | OFF | OFF | 0% | OFF | OFF | +∞ |
| OFF | ON | 50% | OFF | ON | 10min | OFF | ON | 10lux | OFF | ON | 10% | OFF | ON | 1min |
| ON | OFF | 75% | ON | OFF | 30min | ON | OFF | 30lux | ON | OFF | 30% | ON | OFF | 30min |
| ON | ON | 100% | ON | ON | 60min | ON | ON | 50lux | ON | ON | 50% | ON | ON | 60min |

ESL-8OCC-ODD-LV*

- Power Supply: 6-24 VDC
- Sensor Type: Passive Infrared
- Sensitivity Adjustment: 20% / 50% / 75% / 100%
- Dimming Control Output: 0-10V Max. 25mA sinking current
- Detection Radius/angle: 30ft@40ft Height/360°
- Detection Area (square footage): 2826ft²@40ft Height/360°
- Mounting Height: 40ft Max
- Remote Range: 50ft
- Humidity: Max 95% RH
- Temperature: -40°F ~ 167°F (-40°C ~ 75°C)



Side View Coverage



Top View Coverage

*Not applicable for outdoor photocell applications

Photocell Receptacle Options:

The Nova Series offers a 7-Pin receptacle.



ESL-RPC7

7-Pin receptacles offer on/off control, network control integration, and adds an extra set of controls to “future proof” your Area Light purchase.

Photocell Options:



ESL-PCOF

ESL-PCOF is a standard Dusk to Dawn (on/off) photocell that works from 120 -277 VAC.



ESL-PCOFHV

ESL-PCOFHV is a standard Dusk to Dawn (on/off) photocell that works from 347-530 VAC.

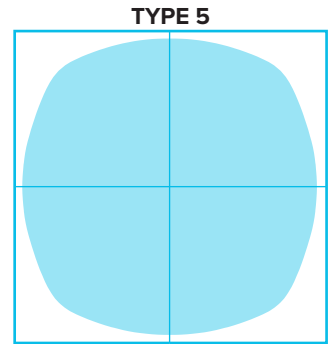
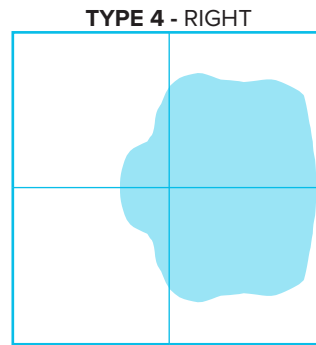
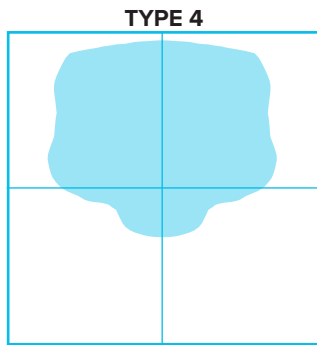
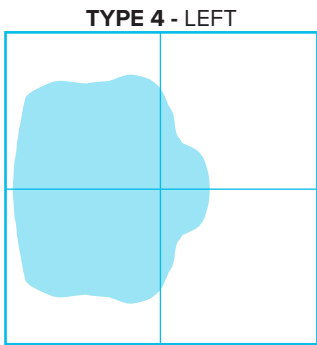
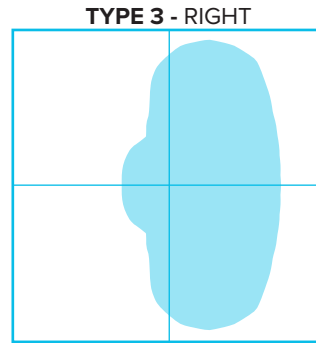
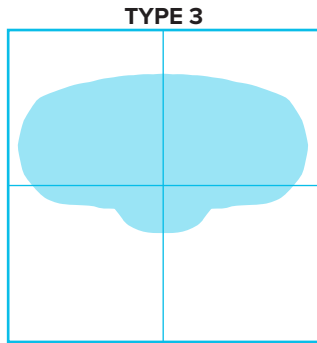
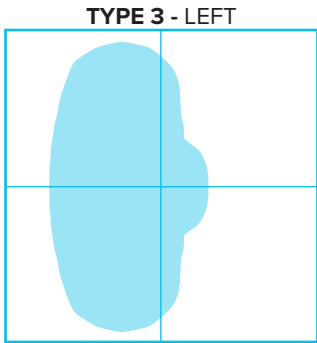
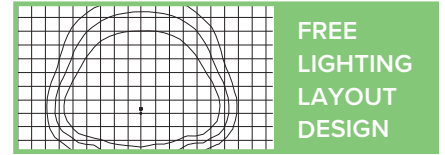


ESL-PCSC

A shorting cap for those projects where you have the flexibility to decide in the future how to control the ESL Vision Area Light.

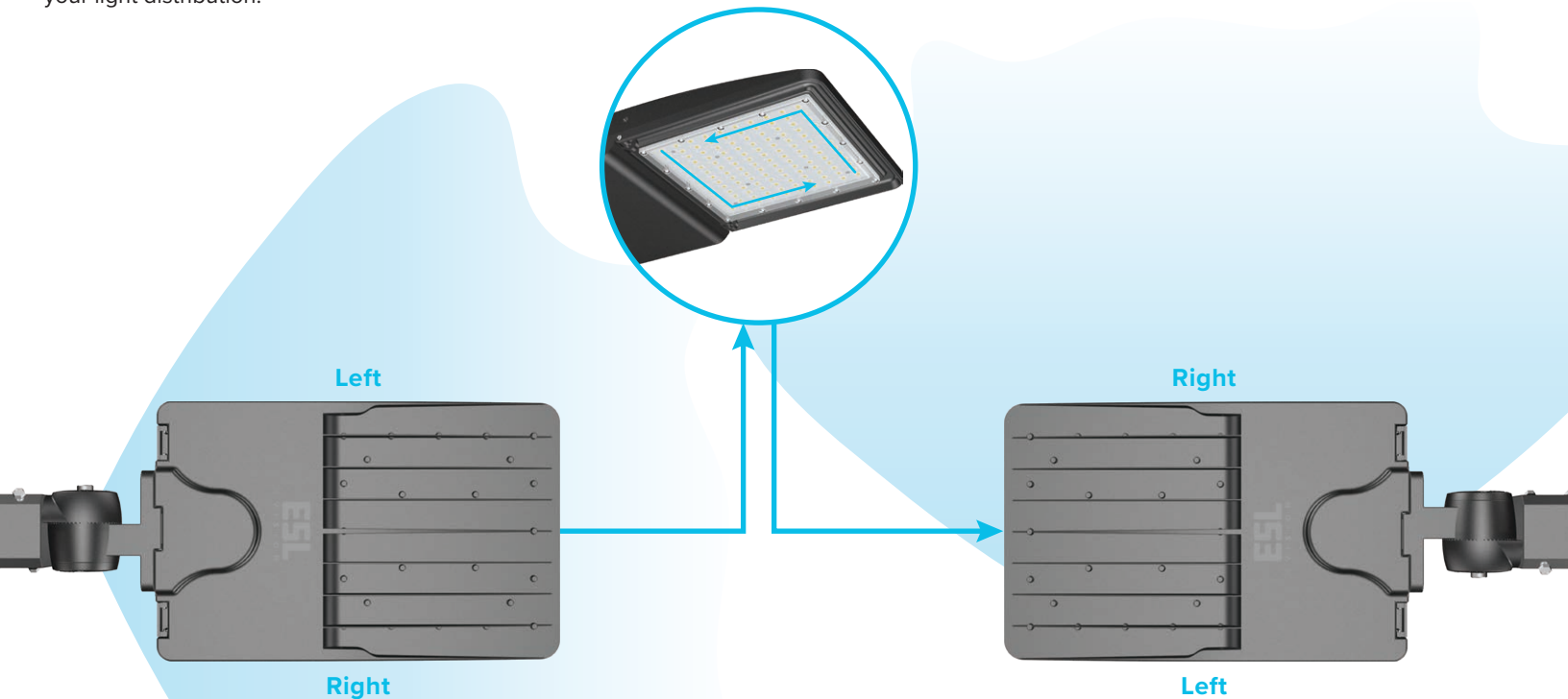
Distribution Options:

ESL Vision's lighting design engineers can help create custom lighting layouts for your jobs free of charge.



Rotateable Lens:

The Nova Series gives you even more flexibility with light distribution. By rotating the lens 90° one way or the other, you can easily customize your light distribution.



Catalog Data:

| ESL | TYPE | WATTAGE | GENERATION | KELVIN | | | | | | | | | INPUT* VOLTAGE | FINISH* | MOUNT* | LENS |
|--------------|------|---------|------------|------------|-----|----------|------------|-----|----------|------------|-----|----------|----------------|---------|--------|--------------------|
| | | | | 3000K (30) | | | 4000K (40) | | | 5000K (50) | | | | | | |
| | | | | LUMENS | LPW | DLC QPL | LUMENS | LPW | DLC QPL | LUMENS | LPW | DLC QPL | | | | |
| ESL-AL-75W-2 | | | | 10,152 | 134 | PY0Q8CK4 | 10,700 | 141 | PB5EXJ4J | 11,251 | 148 | P0R05AFO | (BLANK) | (XX) | (YY) | T3 (Type 3) |
| | | | | 10,152 | 134 | PY0Q8CK4 | 10,700 | 141 | PB5EXJ4J | 11,251 | 148 | P0R05AFO | (HV) | (XX) | (YY) | T3 (Type 3) |
| | | | | 10,103 | 133 | PKD93Y8T | 10,648 | 140 | PVH4SROW | 11,196 | 148 | PUN2VQJ1 | (BLANK) | (XX) | (YY) | T3L (Type 3 Left) |
| | | | | 10,103 | 133 | PKD93Y8T | 10,648 | 140 | PVH4SROW | 11,196 | 148 | PUN2VQJ1 | (HV) | (XX) | (YY) | T3L (Type 3 Left) |
| | | | | 10,140 | 134 | PHVVRKJC | 10,687 | 141 | PC99TPMX | 11,237 | 148 | PISVQFTD | (BLANK) | (XX) | (YY) | T3R (Type 3 Right) |
| | | | | 10,140 | 134 | PHVVRKJC | 10,687 | 141 | PC99TPMX | 11,237 | 148 | PISVQFTD | (HV) | (XX) | (YY) | T3R (Type 3 Right) |
| | | | | 10,091 | 133 | P3KWW4NY | 10,635 | 140 | PLYPBYC | 11,183 | 148 | PQX675K9 | (BLANK) | (XX) | (YY) | T4 (Type 4) |
| | | | | 10,091 | 133 | P3KWW4NY | 10,635 | 140 | PLYPBYC | 11,183 | 148 | PQX675K9 | (HV) | (XX) | (YY) | T4 (Type 4) |
| | | | | 10,061 | 133 | PJFCRF30 | 10,568 | 140 | P7DIGI06 | 11,074 | 147 | P4YGJFQ6 | (BLANK) | (XX) | (YY) | T4L (Type 4 Left) |
| | | | | 10,061 | 133 | PJFCRF30 | 10,568 | 140 | P7DIGI06 | 11,074 | 147 | P4YGJFQ6 | (HV) | (XX) | (YY) | T4L (Type 4 Left) |
| | | | | 10,057 | 133 | P63SHL3J | 10,599 | 140 | PEOHG700 | 11,145 | 147 | PYLZG11R | (BLANK) | (XX) | (YY) | T4R (Type 4 Right) |
| | | | | 10,057 | 133 | P63SHL3J | 10,599 | 140 | PEOHG700 | 11,145 | 147 | PYLZG11R | (HV) | (XX) | (YY) | T4R (Type 4 Right) |
| | | | | 10,870 | 143 | P2BP8GRN | 11,456 | 151 | PRG2H3PG | 12,046 | 159 | PCA1PQS1 | (BLANK) | (XX) | (YY) | T5 (Type 5) |
| | | | | 10,870 | 143 | P2BP8GRN | 11,456 | 151 | PRG2H3PG | 12,046 | 159 | PCA1PQS1 | (HV) | (XX) | (YY) | T5 (Type 5) |

| | | | | | | | | | | | | | | | | |
|---------------|--|--|--|--------|-----|----------|--------|-----|----------|--------|-----|----------|---------|------|------|--------------------|
| ESL-AL-110W-2 | | | | 14,738 | 133 | P78ZOUK7 | 15,533 | 140 | PWUCP4DD | 16,333 | 147 | PY9M5722 | (BLANK) | (XX) | (YY) | T3 (Type 3) |
| | | | | 14,738 | 133 | P78ZOUK7 | 15,533 | 140 | PWUCP4DD | 16,333 | 147 | PY9M5722 | (HV) | (XX) | (YY) | T3 (Type 3) |
| | | | | 14,667 | 132 | P1Z18XCU | 15,457 | 139 | PW8IZCQ3 | 16,254 | 147 | POLGDL1A | (BLANK) | (XX) | (YY) | T3L (Type 3 Left) |
| | | | | 14,667 | 132 | P1Z18XCU | 15,457 | 139 | PW8IZCQ3 | 16,254 | 147 | POLGDL1A | (HV) | (XX) | (YY) | T3L (Type 3 Left) |
| | | | | 14,721 | 133 | PL5L561L | 15,514 | 140 | PBACTAJU | 16,314 | 147 | P8GGLPOL | (BLANK) | (XX) | (YY) | T3R (Type 3 Right) |
| | | | | 14,721 | 133 | PL5L561L | 15,514 | 140 | PBACTAJU | 16,314 | 147 | P8GGLPOL | (HV) | (XX) | (YY) | T3R (Type 3 Right) |
| | | | | 14,649 | 132 | P9OOC8ZR | 15,439 | 139 | P3A7MZBT | 16,234 | 146 | P24V1EAX | (BLANK) | (XX) | (YY) | T4 (Type 4) |
| | | | | 14,649 | 132 | P9OOC8ZR | 15,439 | 139 | P3A7MZBT | 16,234 | 146 | P24V1EAX | (HV) | (XX) | (YY) | T4 (Type 4) |
| | | | | 14,605 | 132 | PN1Q3XBG | 15,393 | 139 | PY1QR675 | 16,186 | 146 | P9ITGEPH | (BLANK) | (XX) | (YY) | T4L (Type 4 Left) |
| | | | | 14,605 | 132 | PN1Q3XBG | 15,393 | 139 | PY1QR675 | 16,186 | 146 | P9ITGEPH | (HV) | (XX) | (YY) | T4L (Type 4 Left) |
| | | | | 14,600 | 132 | P8FILYTG | 15,387 | 139 | PS2XEXUT | 16,179 | 146 | PBRFPQ0J | (BLANK) | (XX) | (YY) | T4R (Type 4 Right) |
| | | | | 14,600 | 132 | P8FILYTG | 15,387 | 139 | PS2XEXUT | 16,179 | 146 | PBRFPQ0J | (HV) | (XX) | (YY) | T4R (Type 4 Right) |
| | | | | 15,780 | 142 | PD6ZM8X8 | 16,630 | 150 | PVF3MXF9 | 17,487 | 158 | PQD8RS1K | (BLANK) | (XX) | (YY) | T5 (Type 5) |
| | | | | 15,780 | 142 | PD6ZM8X8 | 16,630 | 150 | PVF3MXF9 | 17,487 | 158 | PQD8RS1K | (HV) | (XX) | (YY) | T5 (Type 5) |

| | | | | | | | | | | | | | | | | |
|---------------|--|--|--|--------|-----|----------|--------|-----|----------|--------|-----|----------|---------|------|------|--------------------|
| ESL-AL-150W-2 | | | | 18,897 | 129 | P8LE7VNV | 19,916 | 136 | PZMIQ9XL | 20,942 | 143 | PRCK0UKI | (BLANK) | (XX) | (YY) | T3 (Type 3) |
| | | | | 18,897 | 129 | P8LE7VNV | 19,916 | 136 | PZMIQ9XL | 20,942 | 143 | PRCK0UKI | (HV) | (XX) | (YY) | T3 (Type 3) |
| | | | | 18,805 | 128 | PF6F4IQD | 19,819 | 135 | P8U7Y3YY | 20,840 | 142 | P3SJS921 | (BLANK) | (XX) | (YY) | T3L (Type 3 Left) |
| | | | | 18,805 | 128 | PF6F4IQD | 19,819 | 135 | P8U7Y3YY | 20,840 | 142 | P3SJS921 | (HV) | (XX) | (YY) | T3L (Type 3 Left) |
| | | | | 18,875 | 129 | P9GVQ70G | 19,892 | 136 | PY8T14BE | 20,917 | 143 | P0J3S6P8 | (BLANK) | (XX) | (YY) | T3R (Type 3 Right) |
| | | | | 18,875 | 129 | P9GVQ70G | 19,892 | 136 | PY8T14BE | 20,917 | 143 | P0J3S6P8 | (HV) | (XX) | (YY) | T3R (Type 3 Right) |
| | | | | 18,783 | 128 | P9PSMJ08 | 19,795 | 135 | PTG4J4FR | 20,815 | 142 | PW1Z58YS | (BLANK) | (XX) | (YY) | T4 (Type 4) |
| | | | | 18,783 | 128 | P9PSMJ08 | 19,795 | 135 | PTG4J4FR | 20,815 | 142 | PW1Z58YS | (HV) | (XX) | (YY) | T4 (Type 4) |
| | | | | 18,726 | 128 | PRFECLUD | 19,736 | 135 | P5UL3JE4 | 20,753 | 142 | P1MTSF8X | (BLANK) | (XX) | (YY) | T4L (Type 4 Left) |
| | | | | 18,726 | 128 | PRFECLUD | 19,736 | 135 | P5UL3JE4 | 20,753 | 142 | P1MTSF8X | (HV) | (XX) | (YY) | T4L (Type 4 Left) |
| | | | | 18,719 | 128 | P4I68SMU | 19,728 | 135 | PQZ0MVOL | 20,745 | 142 | PE3IK12S | (BLANK) | (XX) | (YY) | T4R (Type 4 Right) |
| | | | | 18,719 | 128 | P4I68SMU | 19,728 | 135 | PQZ0MVOL | 20,745 | 142 | PE3IK12S | (HV) | (XX) | (YY) | T4R (Type 4 Right) |
| | | | | 20,232 | 138 | POBMS4P0 | 21,323 | 145 | PNYC4TX9 | 22,421 | 153 | POI9FZU8 | (BLANK) | (XX) | (YY) | T5 (Type 5) |
| | | | | 20,232 | 138 | POBMS4P0 | 21,323 | 145 | PNYC4TX9 | 22,421 | 153 | POI9FZU8 | (HV) | (XX) | (YY) | T5 (Type 5) |

* Input Voltage: (Blank) = 120-277 VAC, (HV) = 247-480 VAC | Finish (XX): BZ = Bronze, BK = Black, GR = Grey, WH = White
 Mount (YY): DM = Direct Mount, RDM4 = Round Direct Mount 4", RDM5 = Round Direct Mount 5", SF = Slip Fitter, YK = Yoke Mount

Catalog Data:

| ESL | TYPE | WATTAGE | GENERATION | KELVIN | | | | | | | | | INPUT* VOLTAGE | FINISH* | MOUNT* | LENS |
|---------------|------|---------|------------|------------|-----|----------|------------|-----|----------|------------|-----|----------|-------------------|---------|--------|--------------------|
| | | | | 3000K (30) | | | 4000K (40) | | | 5000K (50) | | | | | | |
| | | | | LUMENS | LPW | DLC QPL | LUMENS | LPW | DLC QPL | LUMENS | LPW | DLC QPL | | | | |
| ESL-AL-200W-2 | | | | 27,570 | 141 | PKJN4U4 | 29,056 | 148 | PBPHKQWB | 30,553 | 156 | PQIRPF1O | (BLANK) | (XX) | (YY) | T3 (Type 3) |
| | | | | 27,570 | 141 | PKJN4U4 | 29,056 | 148 | PBPHKQWB | 30,553 | 156 | PQIRPF1O | (HV) | (XX) | (YY) | T3 (Type 3) |
| | | | | 27,436 | 140 | PAW369YD | 28,915 | 148 | P4EMWYZI | 30,405 | 155 | P9IW684 | (BLANK) | (XX) | (YY) | T3L (Type 3 Left) |
| | | | | 27,436 | 140 | PAW369YD | 28,915 | 148 | P4EMWYZI | 30,405 | 155 | P9IW684 | (HV) | (XX) | (YY) | T3L (Type 3 Left) |
| | | | | 27,538 | 141 | PFRVNKKB | 29,022 | 148 | P2IC05TS | 30,517 | 156 | PMWUIH5E | (BLANK) | (XX) | (YY) | T3R (Type 3 Right) |
| | | | | 27,538 | 141 | PFRVNKKB | 29,022 | 148 | P2IC05TS | 30,517 | 156 | PMWUIH5E | (HV) | (XX) | (YY) | T3R (Type 3 Right) |
| | | | | 27,404 | 140 | PJOW075 | 28,881 | 148 | P6X92JF7 | 30,369 | 155 | PPL3RMEI | (BLANK) | (XX) | (YY) | T4 (Type 4) |
| | | | | 27,404 | 140 | PJOW075 | 28,881 | 148 | P6X92JF7 | 30,369 | 155 | PPL3RMEI | (HV) | (XX) | (YY) | T4 (Type 4) |
| | | | | 27,321 | 140 | PGD7YYSF | 28,794 | 147 | P5VZEWY8 | 30,278 | 155 | P6ML174P | (BLANK) | (XX) | (YY) | T4L (Type 4 Left) |
| | | | | 27,321 | 140 | PGD7YYSF | 28,794 | 147 | P5VZEWY8 | 30,278 | 155 | P6ML174P | (HV) | (XX) | (YY) | T4L (Type 4 Left) |
| | | | | 27,311 | 140 | P56TRKQF | 28,783 | 147 | PJ64ODDC | 30,266 | 155 | P3B1VMDT | (BLANK) | (XX) | (YY) | T4R (Type 4 Right) |
| | | | | 27,311 | 140 | P56TRKQF | 28,783 | 147 | PJ64ODDC | 30,266 | 155 | P3B1VMDT | (HV) | (XX) | (YY) | T4R (Type 4 Right) |
| | | | | 29,518 | 151 | PZKM4S5R | 31,109 | 159 | PE91X57J | 32,712 | 167 | P4SRQ22M | (BLANK) | (XX) | (YY) | T5 (Type 5) |
| | | | | 29,518 | 151 | PZKM4S5R | 31,109 | 159 | PE91X57J | 32,712 | 167 | P4SRQ22M | (HV) | (XX) | (YY) | T5 (Type 5) |

| | | | | | | | | | | | | | | | | |
|---------------|--|--|--|--------|-----|----------|--------|-----|----------|--------|-----|----------|---------|------|------|--------------------|
| ESL-AL-250W-2 | | | | 35,532 | 135 | PQNDL5PY | 37,447 | 143 | PKMMF2XJ | 39,377 | 150 | PYYDTKSQ | (BLANK) | (XX) | (YY) | T3 (Type 3) |
| | | | | 35,532 | 135 | PQNDL5PY | 37,447 | 143 | PKMMF2XJ | 39,377 | 150 | PYYDTKSQ | (HV) | (XX) | (YY) | T3 (Type 3) |
| | | | | 35,360 | 135 | PCGMSDW1 | 37,266 | 142 | PFUHEIUQ | 39,186 | 149 | PWF0R5TZ | (BLANK) | (XX) | (YY) | T3L (Type 3 Left) |
| | | | | 35,360 | 135 | PCGMSDW1 | 37,266 | 142 | PFUHEIUQ | 39,186 | 149 | PWF0R5TZ | (HV) | (XX) | (YY) | T3L (Type 3 Left) |
| | | | | 35,490 | 135 | PVOC1OTG | 37,403 | 142 | PUQP9MYP | 39,330 | 150 | PJD98LDT | (BLANK) | (XX) | (YY) | T3R (Type 3 Right) |
| | | | | 35,490 | 135 | PVOC1OTG | 37,403 | 142 | PUQP9MYP | 39,330 | 150 | PJD98LDT | (HV) | (XX) | (YY) | T3R (Type 3 Right) |
| | | | | 35,317 | 135 | POZKZIF6 | 37,221 | 142 | PFL0AJBA | 39,139 | 149 | PT3RU9LL | (BLANK) | (XX) | (YY) | T4 (Type 4) |
| | | | | 35,317 | 135 | POZKZIF6 | 37,221 | 142 | PFL0AJBA | 39,139 | 149 | PT3RU9LL | (HV) | (XX) | (YY) | T4 (Type 4) |
| | | | | 35,213 | 134 | PEEPAE6G | 37,110 | 141 | PVBBX1ZF | 39,022 | 149 | PLEU2T1A | (BLANK) | (XX) | (YY) | T4L (Type 4 Left) |
| | | | | 35,213 | 134 | PEEPAE6G | 37,110 | 141 | PVBBX1ZF | 39,022 | 149 | PLEU2T1A | (HV) | (XX) | (YY) | T4L (Type 4 Left) |
| | | | | 35,198 | 134 | PB8C5EMW | 37,095 | 141 | P33OJB6P | 39,006 | 149 | P4GFQ0PE | (BLANK) | (XX) | (YY) | T4R (Type 4 Right) |
| | | | | 35,198 | 134 | PB8C5EMW | 37,095 | 141 | P33OJB6P | 39,006 | 149 | P4GFQ0PE | (HV) | (XX) | (YY) | T4R (Type 4 Right) |
| | | | | 38,043 | 145 | P9GGL1OE | 40,093 | 153 | PQ38NNEU | 42,159 | 161 | PPOOCJOX | (BLANK) | (XX) | (YY) | T5 (Type 5) |
| | | | | 38,043 | 145 | P9GGL1OE | 40,093 | 153 | PQ38NNEU | 42,159 | 161 | PPOOCJOX | (HV) | (XX) | (YY) | T5 (Type 5) |

| | | | | | | | | | | | | | | | | |
|---------------|--|--|--|--------|-----|----------|--------|-----|----------|--------|-----|----------|---------|------|------|--------------------|
| ESL-AL-320W-2 | | | | 40,997 | 131 | PFBENYDW | 43,207 | 138 | P65CQJME | 45,433 | 145 | PPQY81MV | (BLANK) | (XX) | (YY) | T3 (Type 3) |
| | | | | 40,997 | 131 | PFBENYDW | 43,207 | 138 | P65CQJME | 45,433 | 145 | PPQY81MV | (HV) | (XX) | (YY) | T3 (Type 3) |
| | | | | 40,798 | 130 | P5OLMZ51 | 42,997 | 137 | P3FL0DP9 | 45,212 | 144 | PSCX0PAS | (BLANK) | (XX) | (YY) | T3L (Type 3 Left) |
| | | | | 40,798 | 130 | P5OLMZ51 | 42,997 | 137 | P3FL0DP9 | 45,212 | 144 | PSCX0PAS | (HV) | (XX) | (YY) | T3L (Type 3 Left) |
| | | | | 40,948 | 131 | PKSKYHX3 | 43,155 | 138 | PS8QRWHO | 45,379 | 145 | PF01MYWG | (BLANK) | (XX) | (YY) | T3R (Type 3 Right) |
| | | | | 40,948 | 131 | PKSKYHX3 | 43,155 | 138 | PS8QRWHO | 45,379 | 145 | PF01MYWG | (HV) | (XX) | (YY) | T3R (Type 3 Right) |
| | | | | 40,749 | 130 | P8LYK6K | 42,946 | 137 | POJ05LK0 | 45,158 | 144 | P7WFGSLW | (BLANK) | (XX) | (YY) | T4 (Type 4) |
| | | | | 40,749 | 130 | P8LYK6K | 42,946 | 137 | POJ05LK0 | 45,158 | 144 | P7WFGSLW | (HV) | (XX) | (YY) | T4 (Type 4) |
| | | | | 41,255 | 124 | PCHRR3JM | 42,817 | 136 | PJOPBWKX | 45,023 | 144 | PCQSV6K1 | (BLANK) | (XX) | (YY) | T4L (Type 4 Left) |
| | | | | 41,255 | 124 | PCHRR3JM | 42,817 | 136 | PJOPBWKX | 45,023 | 144 | PCQSV6K1 | (HV) | (XX) | (YY) | T4L (Type 4 Left) |
| | | | | 40,611 | 129 | PX44BVVI | 42,800 | 136 | PQ87FHQR | 45,005 | 143 | P238F3BB | (BLANK) | (XX) | (YY) | T4R (Type 4 Right) |
| | | | | 40,611 | 129 | PX44BVVI | 42,800 | 136 | PQ87FHQR | 45,005 | 143 | P238F3BB | (HV) | (XX) | (YY) | T4R (Type 4 Right) |
| | | | | 43,894 | 140 | PSEJ9OW7 | 46,260 | 147 | PYDSKZA4 | 48,643 | 155 | PJVFKB6N | (BLANK) | (XX) | (YY) | T5 (Type 5) |
| | | | | 43,894 | 140 | PSEJ9OW7 | 46,260 | 147 | PYDSKZA4 | 48,643 | 155 | PJVFKB6N | (HV) | (XX) | (YY) | T5 (Type 5) |

* Input Voltage: (Blank) = 120-277 VAC, (HV) = 247-480 VAC | Finish (XX): BZ = Bronze, BK = Black, GR = Grey, WH = White
 Mount (YY): DM = Direct Mount, RDM4 = Round Direct Mount 4", RDM5 = Round Direct Mount 5", SF = Slip Fitter, YK = Yoke Mount

Construction:

- Rugged Anodized Aluminum Housing
- High Performance Heat Sink
- Weathertight Tool-less Entry Access
- Stainless Steel Hardware

Electrical:

- Input Voltage Options: 120-277 VAC, 277-480 VAC
- Operating Temperature: -40°F to 140°F (-40°C to 60°C)
- Life: L70 Lifetime >100,000 hours, L90 Lifetime >48,000 Hours -TM-21, @77F
- Dimming: 1-10V Dimmable
- 12V Auxiliary

Optical:

- Optical Grade Polycarbonate Lens with UV Protection
- Rotatable Lens
- Prismatic Molded Lens for Optimal Uniformity
- Impact Resistant Lens
- Distribution Options:
 - Type IV, Type IV right (T4R), Type IV left (T4L)
 - Type III, Type III right (T3R), Type III left (T3L)
 - Type V

Lumen Ambient Temperature (LAT) Multipliers:

| AMBIENT | | LUMEN MULTIPLIER |
|---------|-------|------------------|
| 0 °C | 32°F | 1.02 |
| 10 °C | 50°F | 1.01 |
| 20 °C | 68°F | 1.0 |
| 25 °C | 77°F | 1.0 |
| 30 °C | 86°F | 1.0 |
| 40 °C | 104°F | 0.99 |

Driver Summary:

| SYSTEM WATTS | OUTPUT CURRENT |
|--------------|----------------|
| 75 | 1500 mA |
| 110 | 2200 mA |
| 150 | 3000 mA |
| 200 | 4200 mA |
| 250 | 5100 mA |
| 320 | 6600 mA |

LED Lumen Maintenance:

| SYSTEM WATTS | HOURS | | | |
|--------------|-------|-------|-------|--------|
| | 0 | 25000 | 50000 | 100000 |
| 75 | 100% | 95% | 90% | 80% |
| 110 | 100% | 94% | 88% | 78% |
| 150 | 100% | 94% | 87% | 75% |
| 200 | 100% | 95% | 90% | 80% |
| 250 | 100% | 94% | 88% | 78% |
| 320 | 100% | 94% | 87% | 75% |

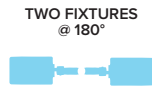
Electrical Load - Standard Voltage:

| SYSTEM WATTS | INPUT CURRENT | | | | INPUT VOLTAGE | INPUT FREQUENCY | POWER FACTOR | THD | OPERATING TEMPERATURE | SURGE PROTECTION | DIMMING |
|--------------|---------------|---------|---------|---------|---------------|-----------------|----------------------------------|------|-----------------------------------|---------------------------------------|---------|
| | 120 VAC | 208 VAC | 240 VAC | 277 VAC | | | | | | | |
| 75 | 0.63 | 0.36 | 0.31 | 0.27 | 120-277 VAC | 50/60 Hz | >0.99 @120 VAC >0.91 @277 VAC | <13% | -40°F to 140°F (-40°C to 60°C) | 4kV L/N 6kV L/N/G 10kV Optional | 1-10V |
| 110 | 0.92 | 0.53 | 0.46 | 0.40 | | | | | | | |
| 150 | 1.25 | 0.72 | 0.63 | 0.54 | | | | | | | |
| 200 | 1.67 | 0.96 | 0.83 | 0.72 | | | | | | | |
| 250 | 2.08 | 1.20 | 1.04 | 0.90 | | | | | | | |
| 320 | 2.67 | 1.54 | 1.33 | 1.16 | | | | | | | |

Electrical Load - High Voltage:

| SYSTEM WATTS | INPUT CURRENT | | | INPUT VOLTAGE | INPUT FREQUENCY | POWER FACTOR | THD | OPERATING TEMPERATURE | SURGE PROTECTION | DIMMING |
|--------------|---------------|---------|---------|---------------|-----------------|----------------------------------|------------------------------|-----------------------------------|---------------------------------------|---------|
| | 277 VAC | 347 VAC | 480 VAC | | | | | | | |
| 75 | 0.27 | 0.22 | 0.16 | 277-480 VAC | 50/60 Hz | >0.97 @277 VAC >0.88 @480 VAC | <10% @277 VAC, <19% @480 VAC | -40°F to 140°F (-40°C to 60°C) | 4kV L/N 6kV L/N/G 10kV Optional | 1-10V |
| 110 | 0.40 | 0.32 | 0.23 | | | | | | | |
| 150 | 0.54 | 0.43 | 0.31 | | | | | | | |
| 200 | 0.72 | 0.58 | 0.42 | | | | | | | |
| 250 | 0.90 | 0.72 | 0.52 | | | | | | | |
| 320 | 1.16 | 0.92 | 0.67 | | | | | | | |

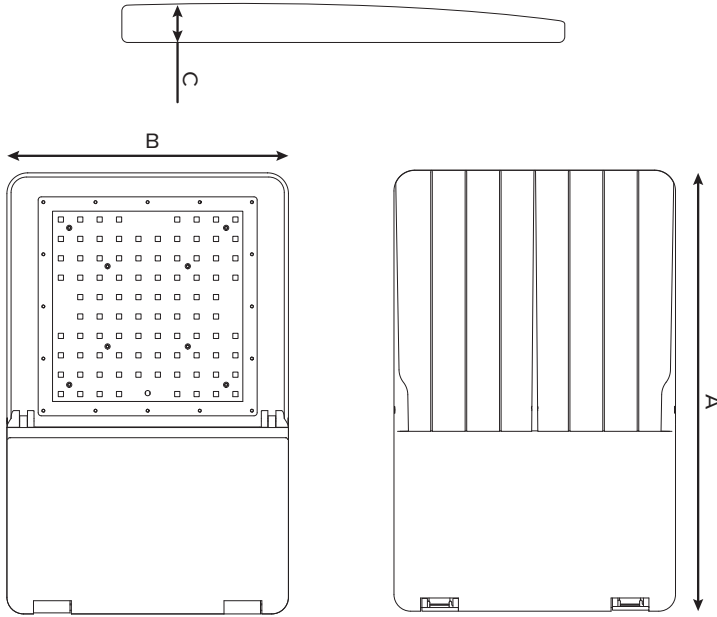
EPA:



| TILT | EPA FOR 75, 110 AND 150 WATT NOVA FIXTURES | | | | | |
|------|--|------|------|------|------|------|
| 0° | 0.19 | 0.38 | 0.39 | 0.54 | 0.51 | 0.75 |
| 10° | 0.57 | 1.16 | 1.19 | 1.41 | 1.29 | 2.25 |
| 30° | 0.75 | 1.56 | 1.72 | 2.24 | 2.15 | 3.1 |
| 60° | 1.31 | 2.55 | 2.74 | 3.29 | 3.06 | 5.17 |
| 90° | 1.43 | 3.01 | 3.19 | 4.29 | 4.19 | 5.87 |

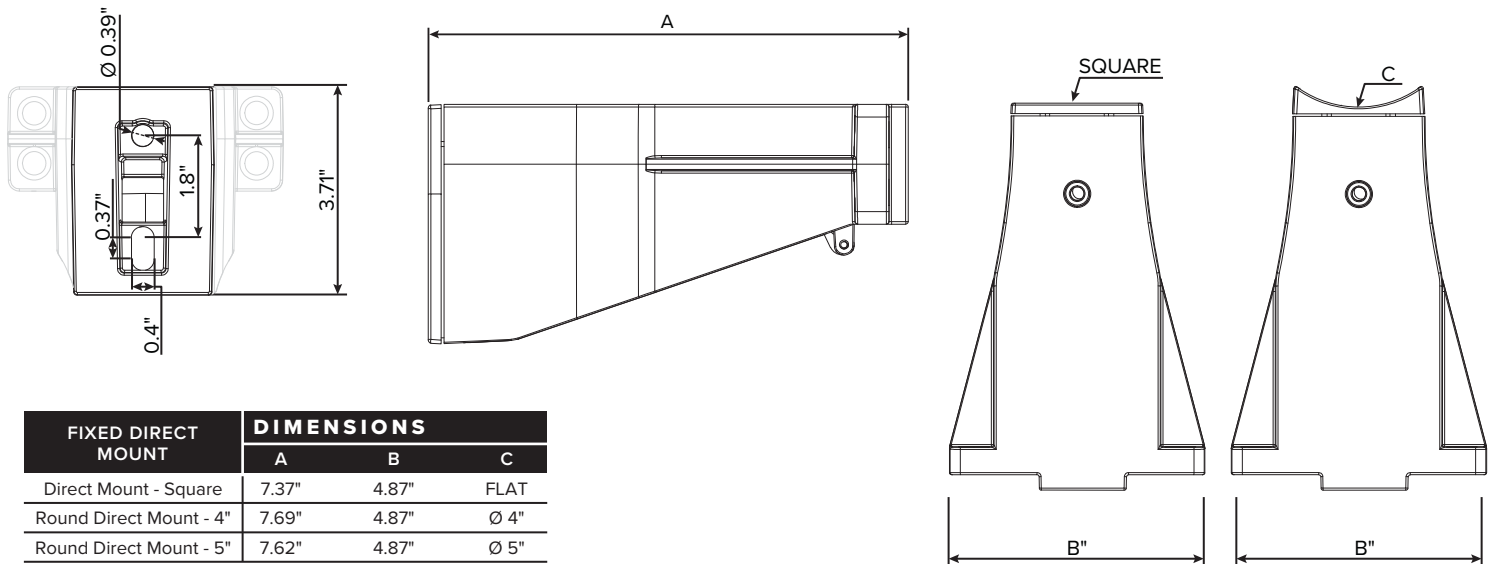
| TILT | EPA FOR 200, 250 AND 320 WATT NOVA FIXTURES | | | | | |
|------|---|------|------|------|------|-------|
| 0° | 0.21 | 0.51 | 0.57 | 1.53 | 1.36 | 1.85 |
| 10° | 0.97 | 1.45 | 1.59 | 2.68 | 2.23 | 2.58 |
| 30° | 1.95 | 2.81 | 3.24 | 4.37 | 4.16 | 6.35 |
| 60° | 2.21 | 3.84 | 4.37 | 6.64 | 6.41 | 8.63 |
| 90° | 2.32 | 4.66 | 5.13 | 7.65 | 7.64 | 11.19 |

Dimensions:



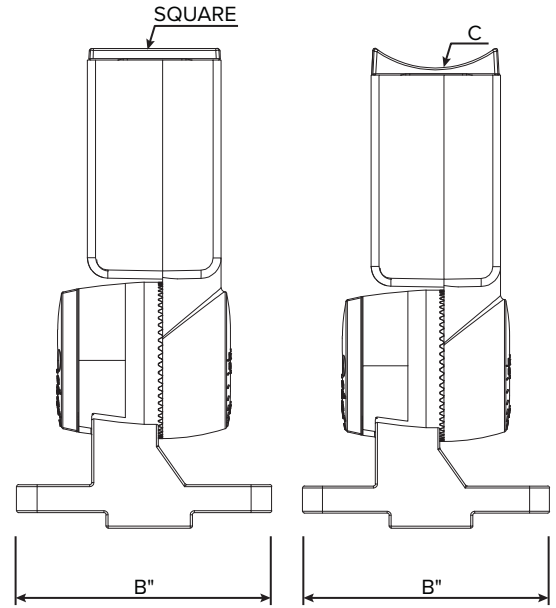
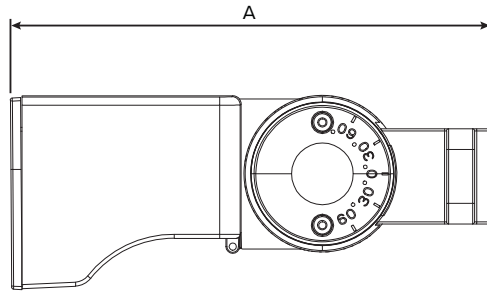
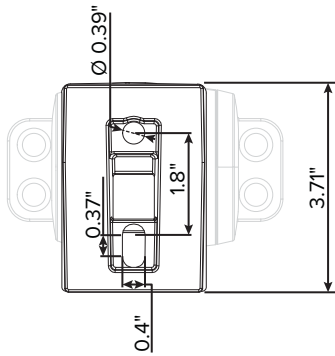
| SYSTEM WATTS | DIMENSIONS | | | WEIGHT Pounds (lbs) |
|--------------|------------|--------|-------|------------------------|
| | A | B | C | |
| 75 | 25.78" | 10.63" | 1.38" | 13.25 |
| 110 | 25.78" | 10.63" | 1.38" | 13.25 |
| 150 | 25.78" | 10.63" | 1.38" | 13.25 |
| 200 | 29.53" | 13.78" | 2.56" | 18.75 |
| 250 | 29.53" | 13.78" | 2.56" | 18.75 |
| 320 | 29.53" | 13.78" | 2.56" | 18.75 |

Fixed Direct Mount:



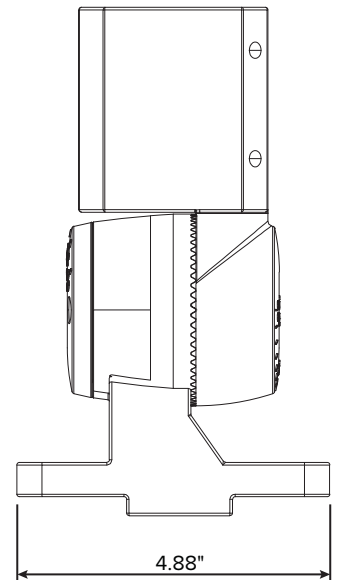
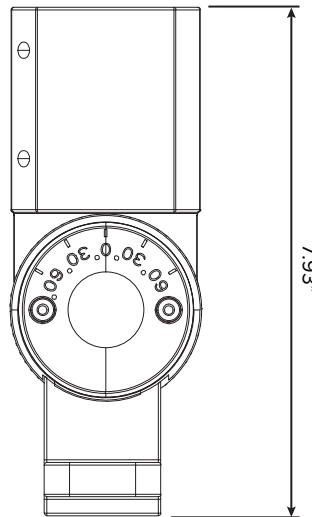
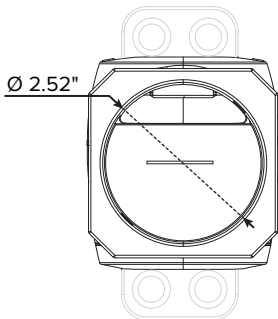
| FIXED DIRECT MOUNT | DIMENSIONS | | |
|-------------------------|------------|-------|------|
| | A | B | C |
| Direct Mount - Square | 7.37" | 4.87" | FLAT |
| Round Direct Mount - 4" | 7.69" | 4.87" | Ø 4" |
| Round Direct Mount - 5" | 7.62" | 4.87" | Ø 5" |

Direct Mount:

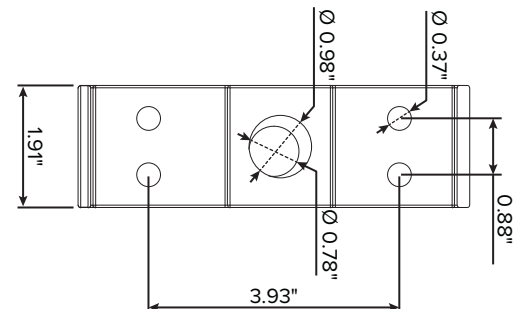
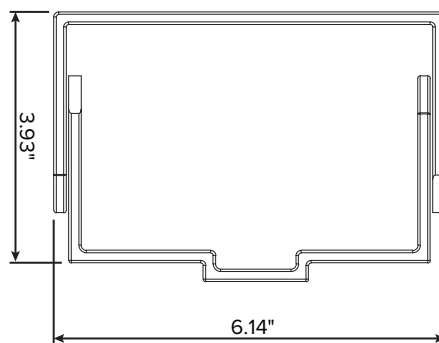
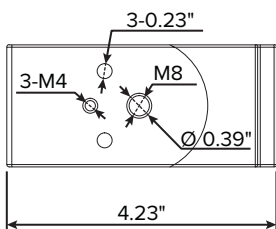


| DIRECT MOUNT | DIMENSIONS | | |
|-------------------------|------------|-------|------|
| | A | B | C |
| Direct Mount - Square | 9.18" | 4.88" | FLAT |
| Round Direct Mount - 4" | 9.46" | 4.88" | Ø 4" |
| Round Direct Mount - 5" | 9.38" | 4.88" | Ø 5" |

Slip Fitter:

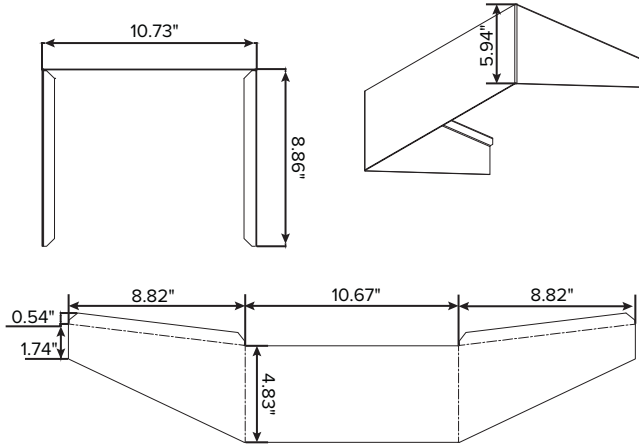


Yoke Mount:

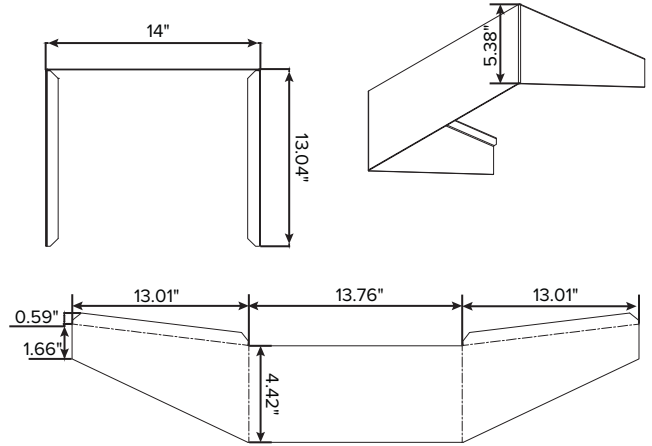


Front Street Side Shield:

Front Street Side Shield - **Small**

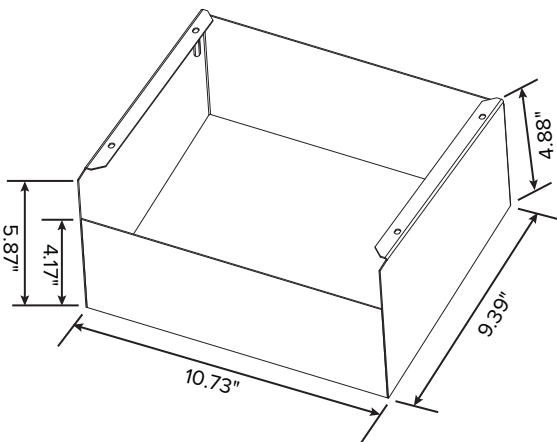


Front Street Side Shield - **Large**

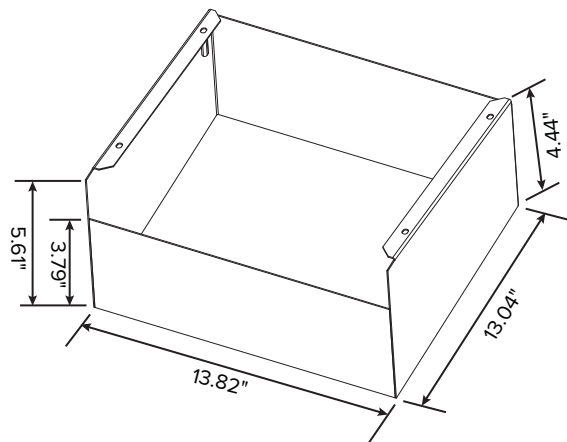


Full Body Shield:

Full Body Shield - **Small**

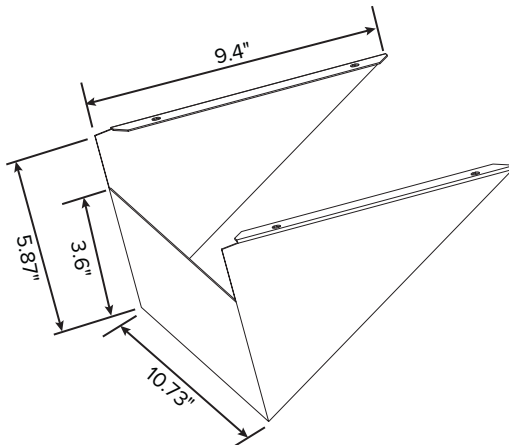


Full Body Shield - **Large**



House Side Shield:

House Side Shield - **Small**



House Side Shield - **Large**

