

**INSTALLATION INSTRUCTIONS**

**WARNING:** All work must be performed by qualified electrician. Luminaire must be installed and grounded in accordance with the National Electrical Code (NEC) and local codes. Failure to do so may result in serious injury and/or damage to the luminaire.

**WARNING:** To avoid risk of fire, explosion, or electric shock, this product should be installed, inspected, and maintained by a qualified electrician only and in accordance with all applicable codes.

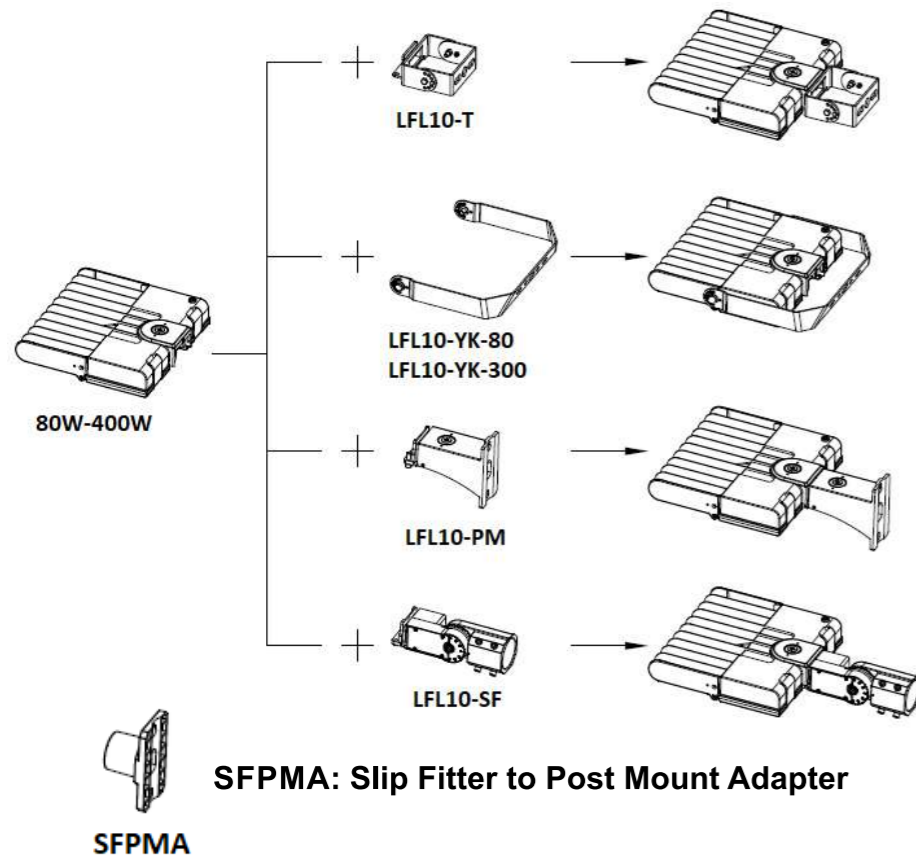
**WARNING:** To avoid electric shock: Be certain electrical power is OFF before and during installation and maintenance. Luminaire must be connected to a wiring system with an equipment grounding conductor.

**WARNING:** Make sure the supply voltage is the same as the rated luminaire voltage. Do not install where marked operating temperatures exceed the ignition temperature of the hazardous atmosphere. Do not operate in ambient temperatures above those indicated on the luminaire nameplate. Keep lens tightly closed when in operation. All the products cannot be installed on woods.

**NOTE:** For supply connections use wire rated for at least 90°C/194°F. Save these instructions for future reference.

**NOTE: LFL10 - Series Operating Voltage: 120~277VAC/277~480VAC**  
**Ambient Operating Temp: -40°C / -40°F to 40°C / 104°F**

**Mounting Options, Faster Installation Design**



**NOTE:** Illustrations are used for reference purposes only; actual fixture may differ on each luminaire.



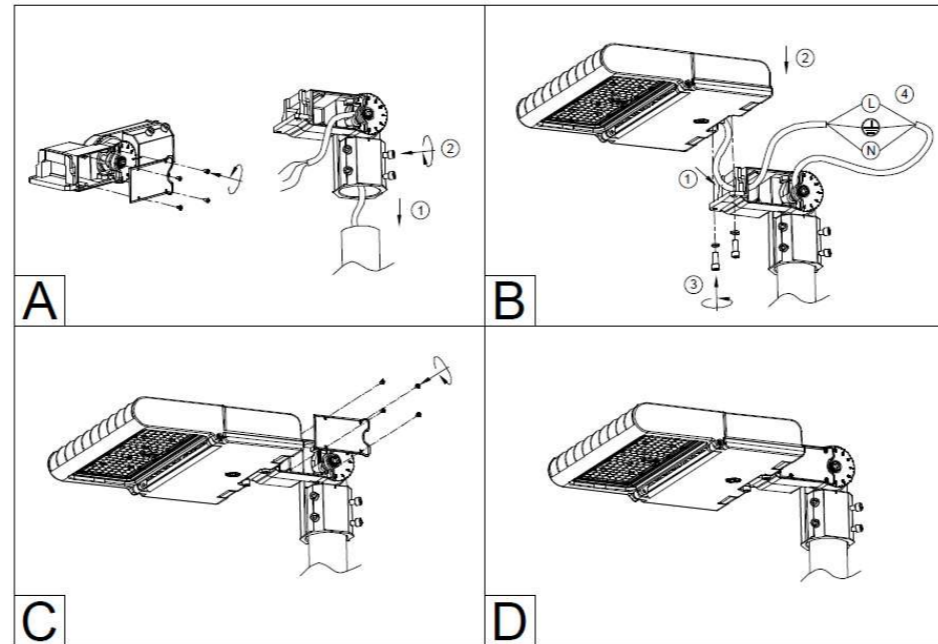
**INSTALLATION INSTRUCTIONS**

Refer to the following diagram when you install the fixture

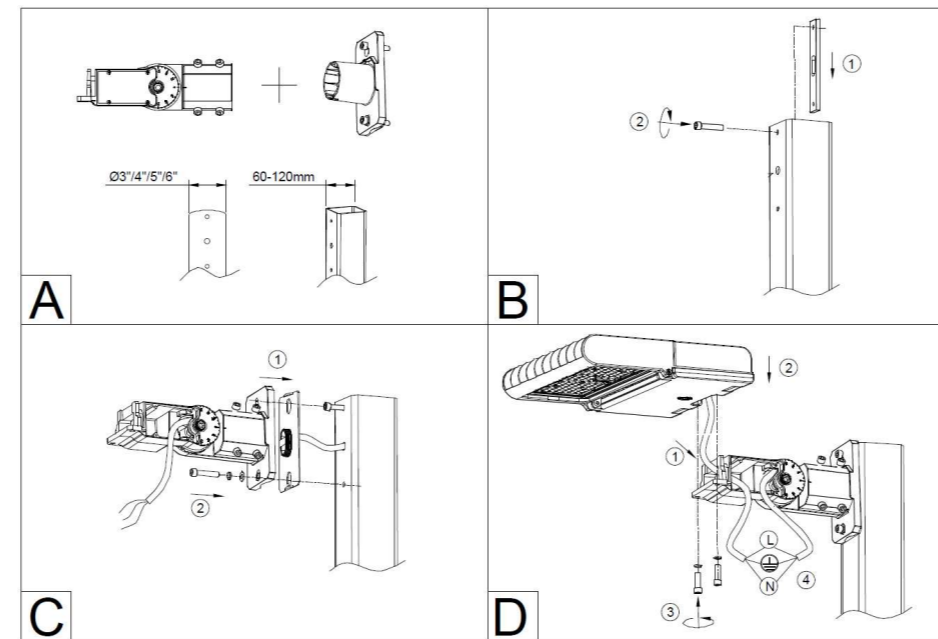
**NOTE:** To prevent electrical shock, disconnect power from electrical supply before installation or service.

**1. SLIP FITTER TYPE**

**PRECAUTION:** This luminaire is designed to be mounted on a pole or post up to 2-3/8" diameter only.



**2. SLIP FITTER WITH ADAPTER**



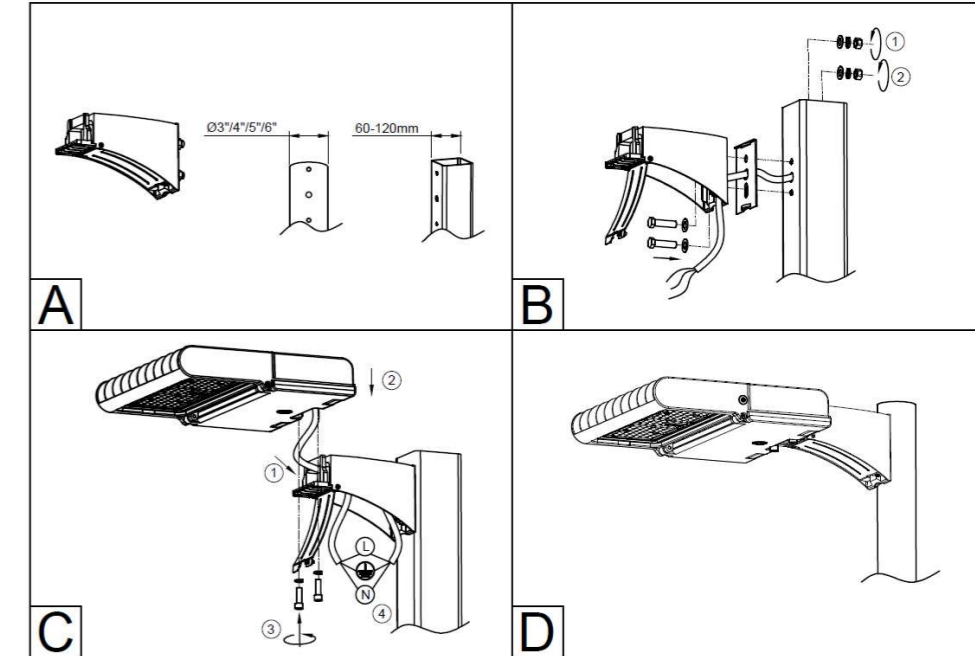
**NOTE:** Illustrations are used for reference purposes only; actual fixture may differ on each luminaire.



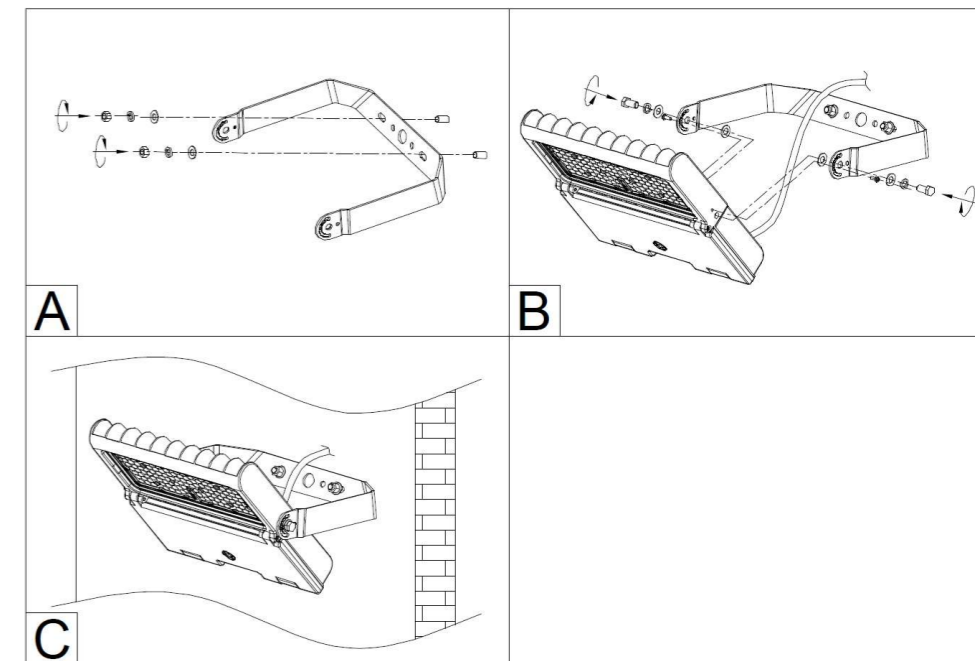
**INSTALLATION INSTRUCTIONS**

**NOTE:** To prevent electrical shock, disconnect power from electrical supply before installation or service.

**3. POST MOUNT TYPE**



**4. YOKE MOUNT TYPE**



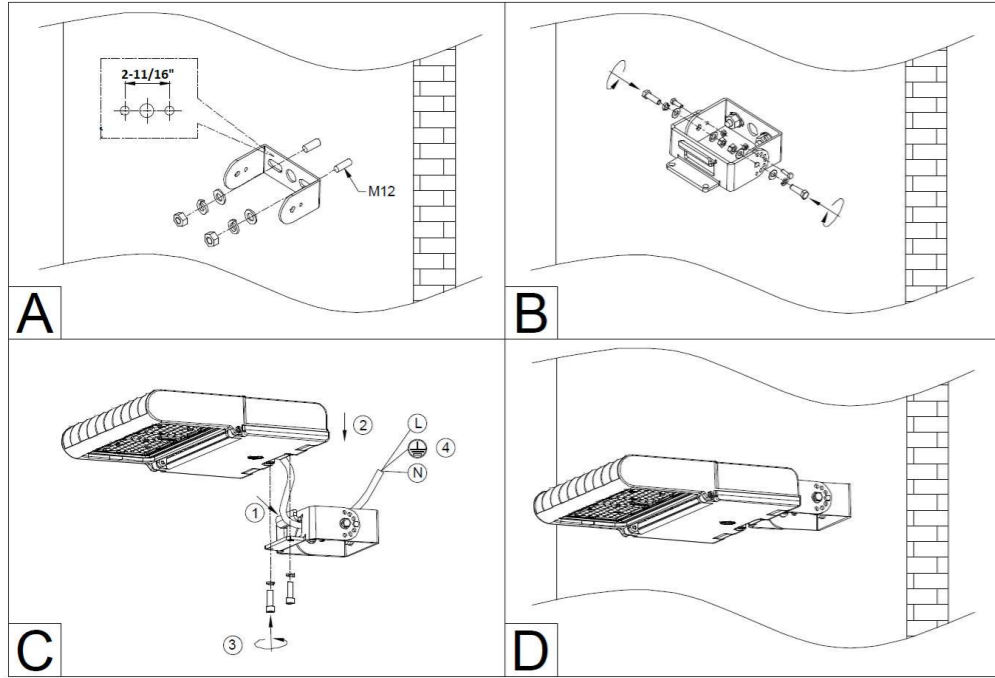
**NOTE:** Illustrations are used for reference purposes only; actual fixture may differ on each luminaire.



**INSTALLATION INSTRUCTIONS**

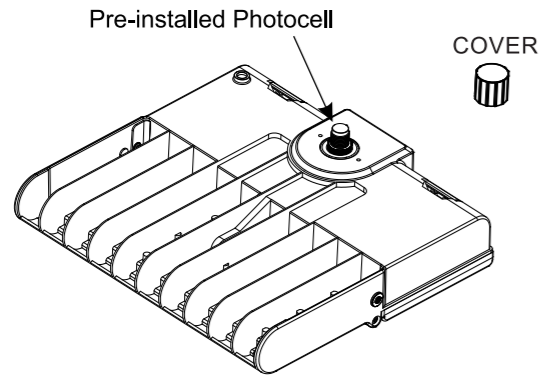
**NOTE:** To prevent electrical shock, disconnect power from electrical supply before installation or service.

**5. TRUNNION MOUNT TYPE**



**Photocell Function**

All LFL10 Series Fixtures come with Photocell installed. **If want to use this function, remember to remove the cover first. If don't want to use the photocell function, keep the cover on.**

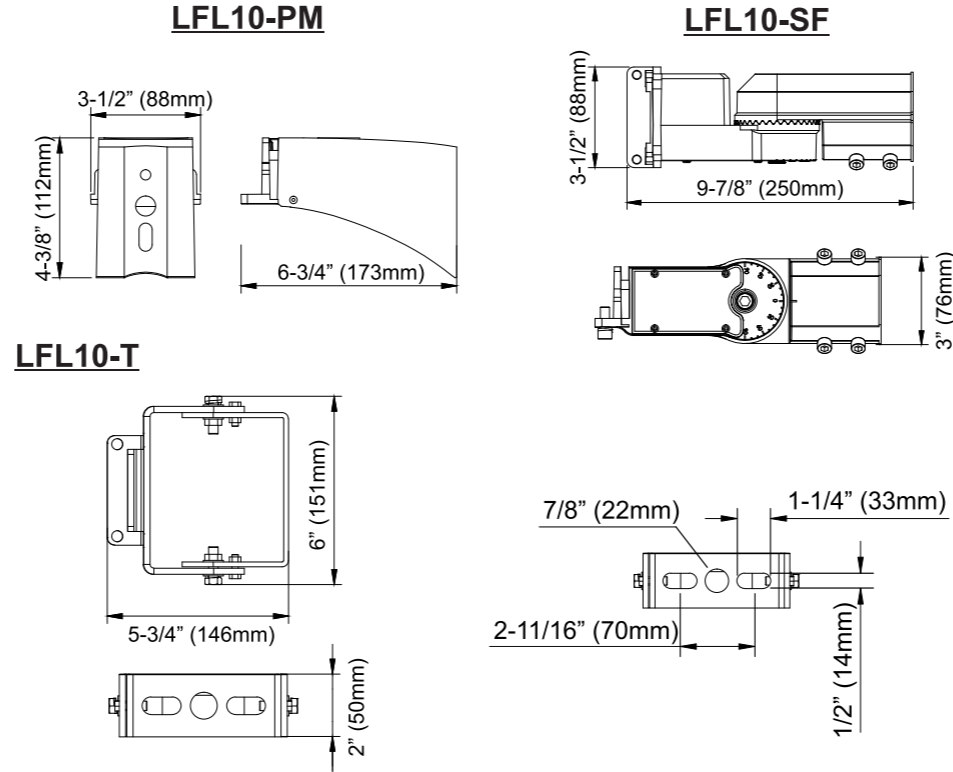


**NOTE:** Illustrations are used for reference purposes only; actual fixture may differ on each luminaire.

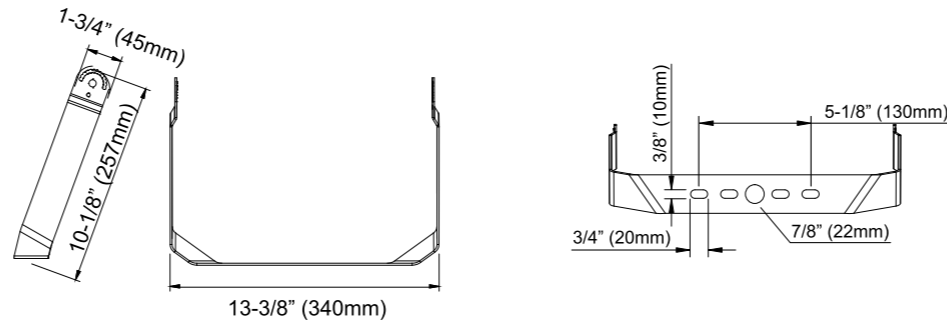


**INSTALLATION INSTRUCTIONS**

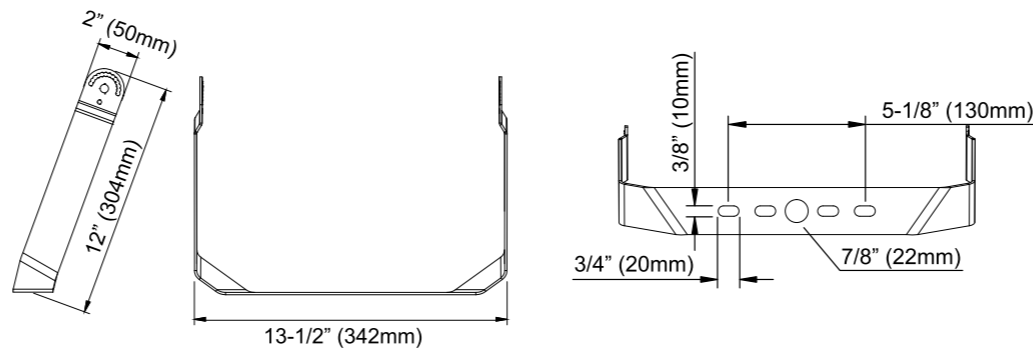
**BRACKET DIMENSIONS - (BRACKET SOLD SEPARATELY)**



**LFL10-YK-80 (For 80W-230W)**



**LFL10-YK-300 (For 300W-400W)**

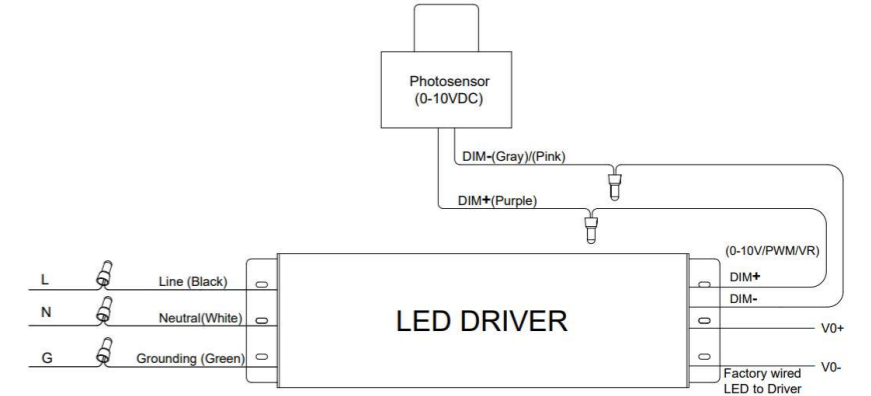


**NOTE:** Illustrations are used for reference purposes only; actual fixture may differ on each luminaire.



**INSTALLATION INSTRUCTIONS**

**WIRING DIAGRAMS**



**With Factory Pre-installed Photocell**

**After installation, please**

- Check whether the lighting fixture is firmly fixed.
  - Check whether wires are connected correctly.
  - At last, turn on the power, and check if the lighting fixture works well.
- If not, please turn off the power and contact with local dealer

MODEL NO.	INPUT VOLTAGE	WATTS	MAX. INPUT AMP.	DIMMING
LFL10-80W-P	120~277V	80W	1.2A	0-10V/PWM/VR
LFL10-100W-P	120~277V	100W	1.2A	0-10V/PWM/VR
LFL10-230W-P	120~277V	230W	3.5A	0-10V/PWM/VR
LFL10-150W-P-480V	277~480V	150W	0.8A	0-10V/PWM/VR
LFL10-230W-P-480V	277~480V	230W	1.8A	0-10V/PWM/VR
LFL10-300W-P-480V	277~480V	300W	1.5A	0-10V/PWM/VR
LFL10-400W-P-480V	277~480V	400W	1.95A	0-10V/PWM/VR

**New! Adjustable Wattage Models:**

MODEL NO.	INPUT VOLTAGE	WATTAGES	MAX. INPUT AMP.	DIMMING
LFL10-150W-P	120~277V	50W/80W/100W/150W	1.8A	0-10V/PWM/VR
LFL10-300W-P	120~277V	150W/200W/240W/300W	3.5A	0-10V/PWM/VR
LFL10-400W-P	120~277V	230W/300W/350W/400W	4.8A	0-10V/PWM/VR

**Note:** Adjustable Wattage Models are using DIP Switch to adjust different wattage.  
**PLEASE KEEP COVER ON FOR WATERPROOF**



DIP Switch



Cover

