

## LFL10 Series - 150W (Adjustable Wattage Model)

### Descriptions

The LFL10 Series are powerful LED Area Lights ideal for outdoor applications such as exterior building lighting, roadways, loading docks, or parking areas. Compared to traditional area lighting, the slim design of these Ultra-Bright LED Area Lights makes them lighter in weight, easier to install. Unlike other Area Lights, the LFL10 can be mounted and wired without having to access inside the fixture making the installation process even faster. Pre-installed Photocell on all models and Adjustable Wattage on selected models. UL listed for Wet Locations. DLC 5.1 Premium Listed.

### General Specifications

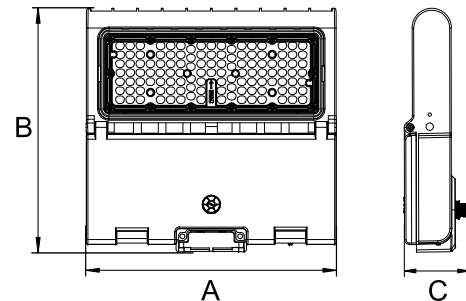
	Spec	LFL10-150W-P
Electrical	Input Voltage	120~277V
	Wattage Range	50W/80W/100W/150W
	Power Factor	> 0.9
Light Output	Lumens Range	6650lm/10640lm/13300lm/20137lm
	Efficacy	133 lm/W
	CRI	70+
	Color Temp.	5000K
	BUG	B3-U0-G3
	Distribution Type	TYPE III
Physical	Equivalent	Up to 750W
	Housing	ADC12 Die Cast Aluminum
	Finish	UV Resistant Bronze Powder Coat Finish
	Lens Material	High Light Transmittance Polycarbonate Lens
	Ambient Operating Temp	-40°C / -40°F to 40°C / 104°F
Other	Mount (Sold Separately)	Slip Fitter, Trunnion, Yoke, Post Mount
Other	Certification	cULus E335594; DLC 5.1 Premium



LFL10-SF LFL10-T LFL10-PM LFL10-YK

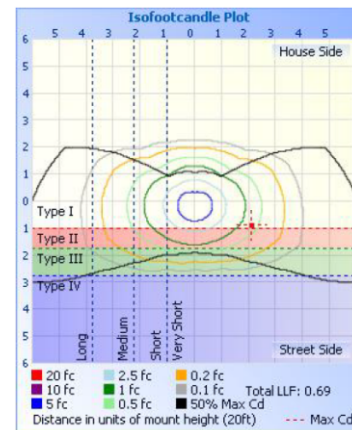
\*Mounting Options (sold separately)

### Dimensions

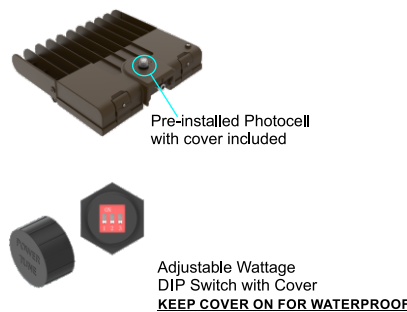


A x B x C:  
 150W: 12-5/8" x 12-1/4" x 3-1/4"

### Photometrics



- ▶ Lifespan: **50,000 hrs**
- ▶ Beam Angle: **135° x 150°**
- ▶ Warranty: **5 Year Limited Warranty**
- ▶ Dimmable: **0-10V/PWM/VR**
- ▶ **UL listed for Wet Location**
- ▶ **Features:**
  - Pre-installed Photocell
  - Adjustable Wattage: 50W/80W/100W/150W



Item No.	Description	Std. Pkg.
LFL10-150W-P	LFL10 LED AREA LIGHT HOUSING ONLY, WITH PHOTOCELL, 50W-150W ADJUSTABLE, 120~277V 5000K-BRONZE	1
LFL10-SF	SLIP FITTER FOR LFL10 SERIES	8
LFL10-T	TRUNNION MOUNT FOR LFL10 SERIES	8
LFL10-PM	POST MOUNT FOR LFL10 SERIES	12
LFL10-YK-80	YOKE MOUNT FOR LFL10 80W-230W	12
SFPMA	SLIP FITTER TO POST MOUNT ADAPTER FOR LFL10 SERIES	12



## LFL10 Series - 300W (Adjustable Wattage Model)

### Descriptions

The LFL10 Series are powerful LED Area Lights ideal for outdoor applications such as exterior building lighting, roadways, loading docks, or parking areas. Compared to traditional area lighting, the slim design of these Ultra-Bright LED Area Lights makes them lighter in weight, easier to install. Unlike other Area Lights, the LFL10 can be mounted and wired without having to access inside the fixture making the installation process even faster. Pre-installed Photocell on all models and Adjustable Wattage on selected models. UL listed for Wet Locations. DLC 5.1 Premium Listed.

### General Specifications

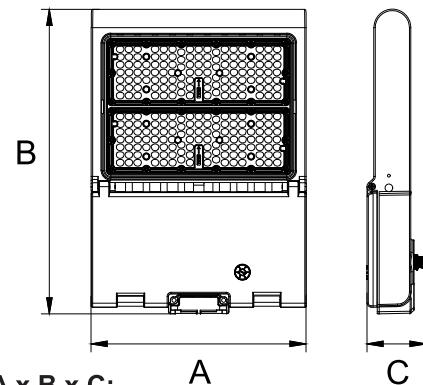
	Spec	LFL10-300W-P
Electrical	Input Voltage	120~277V
	Wattage Range	150W/200W/240W/300W
	Power Factor	> 0.9
Light Output	Lumens Range	21600lm/28800lm/34560lm/41466lm
	Efficacy	144 lm/W
	CRI	70+
	Color Temp.	5000K
	BUG	B5-U0-G4
	Distribution Type	TYPE III
Physical	Equivalent	Up to 1000W
	Housing	ADC12 Die Cast Aluminum
	Finish	UV Resistant Bronze Powder Coat Finish
	Lens Material	High Light Transmittance Polycarbonate Lens
	Ambient Operating Temp	-40°C / -40°F to 40°C / 104°F
Other	Mount (Sold Separately)	Slip Fitter, Trunnion, Yoke, Post Mount
	Certification	cULus E335594; DLC 5.1 Premium



LFL10-SF LFL10-T LFL10-PM LFL10-YK

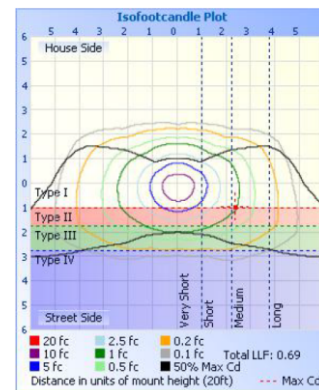
\*Mounting Options (sold separately)

### Dimensions

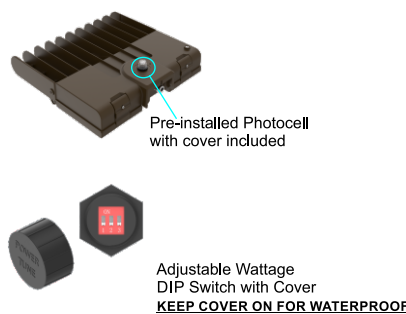


A x B x C:  
 300W: 12-5/8" x 17-7/8" x 3-1/2"

### Photometrics



- ▶ Lifespan: **50,000 hrs**
- ▶ Beam Angle: **125° x 150°**
- ▶ Warranty: **5 Year Limited Warranty**
- ▶ Dimmable: **0-10V/PWM/VR**
- ▶ **UL listed for Wet Location**
- ▶ **Features:**
  - Pre-installed Photocell
  - Adjustable Wattage: 150W/200W/240W/300W



Item No.	Description	Std. Pkg.
LFL10-300W-P	LFL10 LED AREA LIGHT HOUSING ONLY, WITH PHOTOCELL, 150W-300W ADJUSTABLE, 120~277V 5000K-BRONZE	1
LFL10-SF	SLIP FITTER FOR LFL10 SERIES	8
LFL10-T	TRUNNION MOUNT FOR LFL10 SERIES	8
LFL10-PM	POST MOUNT FOR LFL10 SERIES	12
LFL10-YK-300	YOKE MOUNT FOR LFL10 300W-400W	10
SFPMA	SLIP FITTER TO POST MOUNT ADAPTER FOR LFL10 SERIES	12



## LFL10 Series - 400W (Adjustable Wattage Model)

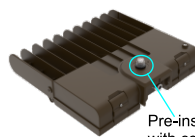
### Descriptions

The LFL10 Series are powerful LED Area Lights ideal for outdoor applications such as exterior building lighting, roadways, loading docks, or parking areas. Compared to traditional area lighting, the slim design of these Ultra-Bright LED Area Lights makes them lighter in weight, easier to install. Unlike other Area Lights, the LFL10 can be mounted and wired without having to access inside the fixture making the installation process even faster. Pre-installed Photocell on all models and Adjustable Wattage on selected models. UL listed for Wet Locations. DLC 5.1 Premium Listed.

### General Specifications

	Spec	LFL10-400W-P
Electrical	Input Voltage	120~277V
	Wattage Range	230W/300W/350W/400W
	Power Factor	> 0.9
Light Output	Lumens Range	32430lm/42300lm/49350lm/56047lm
	Efficacy	141 lm/W
	CRI	70+
	Color Temp.	5000K
	BUG	B5-U0-G5
	Distribution Type	TYPE III
Physical	Equivalent	Up to 1200W
	Housing	ADC12 Die Cast Aluminum
	Finish	UV Resistant Bronze Powder Coat Finish
	Lens Material	High Light Transmittance Polycarbonate Lens
	Ambient Operating Temp	-40°C / -40°F to 40°C / 104°F
Other	Mount (Sold Separately)	Slip Fitter, Trunnion, Yoke, Post Mount
Other	Certification	cULus E335594; DLC 5.1 Premium

- ▶ Lifespan: **50,000 hrs**
- ▶ Beam Angle: **120° x 145°**
- ▶ Warranty: **5 Year Limited Warranty**
- ▶ Dimmable: **0-10V/PWM/VR**
- ▶ **UL listed for Wet Location**
- ▶ **Features:**
  - Pre-installed Photocell
  - Adjustable Wattage: 230W/300W/350W/400W



Pre-installed Photocell with cover included



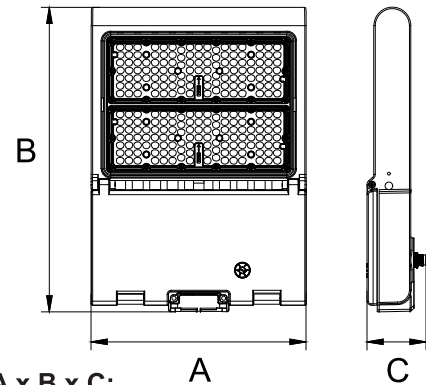
Adjustable Wattage DIP Switch with Cover  
**KEEP COVER ON FOR WATERPROOF**



LFL10-SF LFL10-T LFL10-PM LFL10-YK

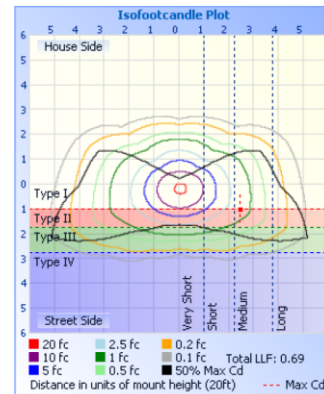
\*Mounting Options (sold separately)

### Dimensions



A x B x C:  
400W: 12-5/8" x 22-3/8" x 3-1/2"

### Photometrics



Item No.	Description	Std. Pkg.
LFL10-400W-P	LFL10 LED AREA LIGHT HOUSING ONLY, WITH PHOTOCELL, 230W-400W ADJUSTABLE, 120~277V 5000K-BRONZE	1
LFL10-SF	SLIP FITTER FOR LFL10 SERIES	8
LFL10-T	TRUNNION MOUNT FOR LFL10 SERIES	8
LFL10-PM	POST MOUNT FOR LFL10 SERIES	12
LFL10-YK-300	YOKE MOUNT FOR LFL10 300W-400W	10
SFPMA	SLIP FITTER TO POST MOUNT ADAPTER FOR LFL10 SERIES	12

