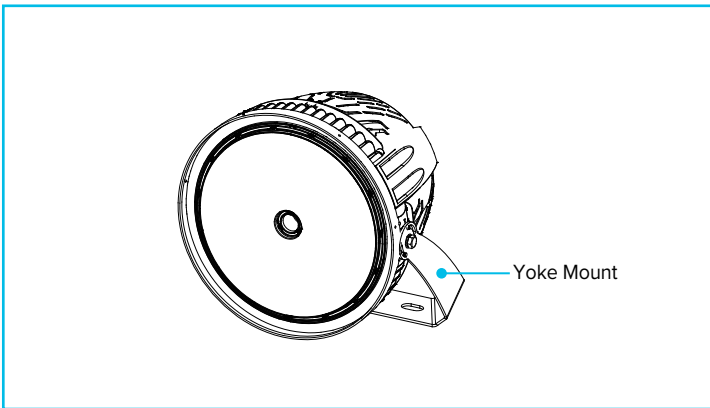


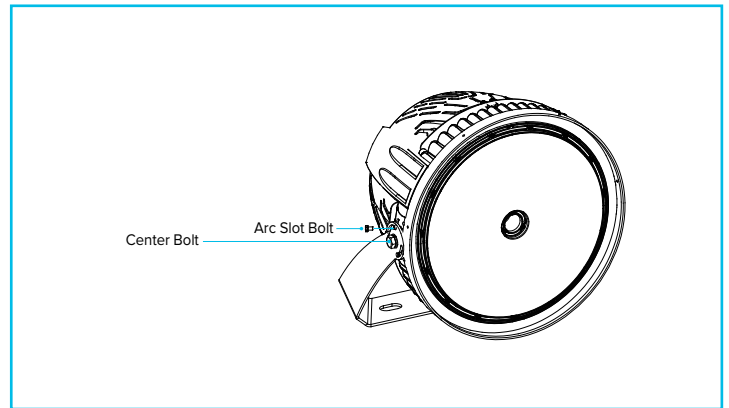
WARNING

1. To avoid electric shock, disconnect power at source prior to installation.
2. The installation should be performed by qualified electricians or lighting technicians.
3. Before conducting any installation, maintenance, or removal, disable all power to the luminaires and wait until the fixture cool down.
4. Do not touch the fixture while it is in service.
5. If there is any problem with the fixture, DO turn off power and DO NOT attempt repair unless you are a qualified technician or the customer service member.

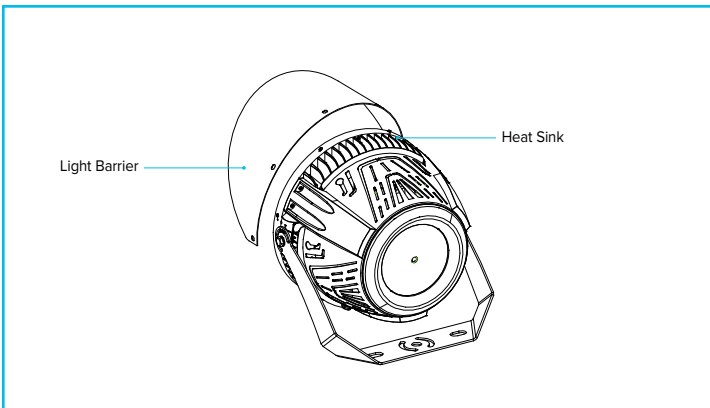
Light Barrier Installation - 400W/500W/600W



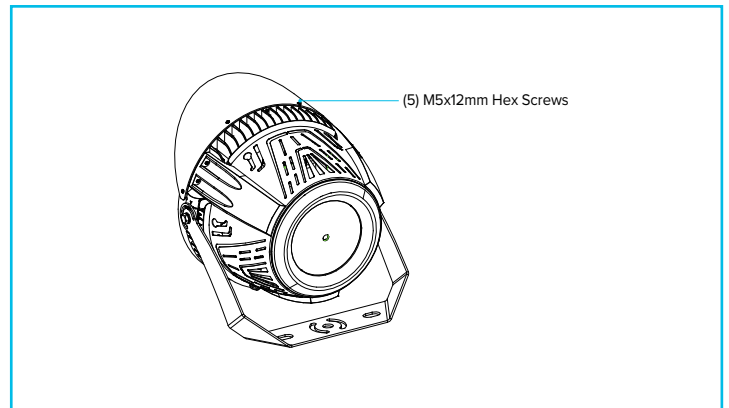
1: Each SPT fixture includes a Yoke Mount. The Yoke can be adjusted to a desired tilt angle for all the fixtures in the SPT Series.



2: The Yoke can be adjusted to a desired tilt angle and has a tilt range of 240°. To adjust the angle loosen the center bolt and arc slot bolt, adjust the angle of the fixture, and then tighten the center bolt and arc slot bolt.

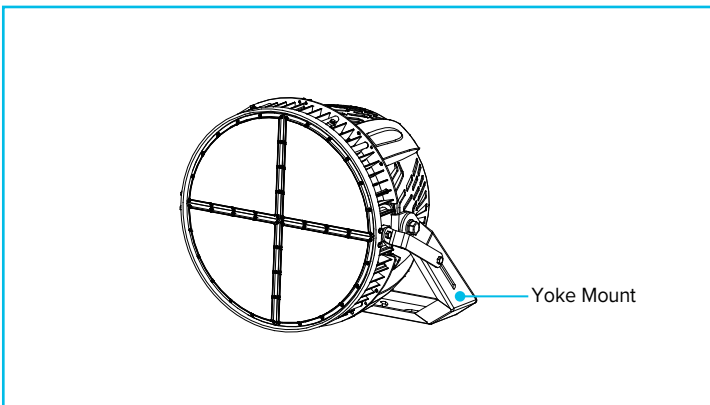


3: Place the light barrier on the fixture body.

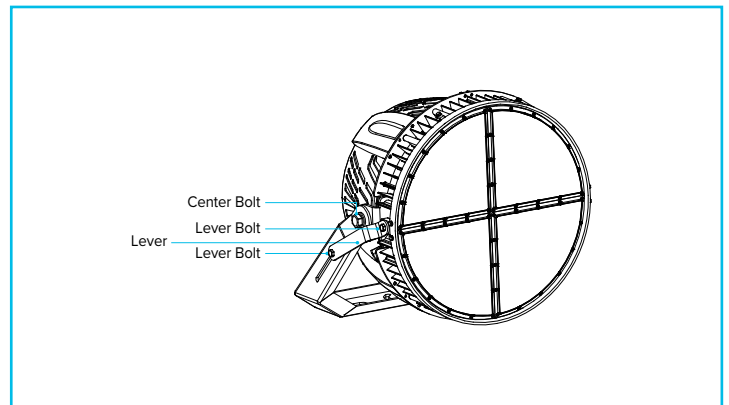


4: Fasten the light barrier to the fixture body using the 5 M5x12mm hex screws.

Light Barrier Installation - 750W/1000W/1200W/1250W

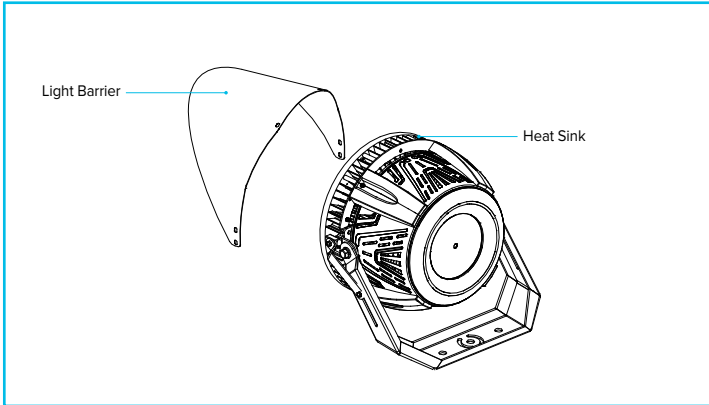


1: Each SPT fixture includes a Yoke Mount. The Yoke can be adjusted to a desired tilt angle for all the fixtures in the SPT Series.

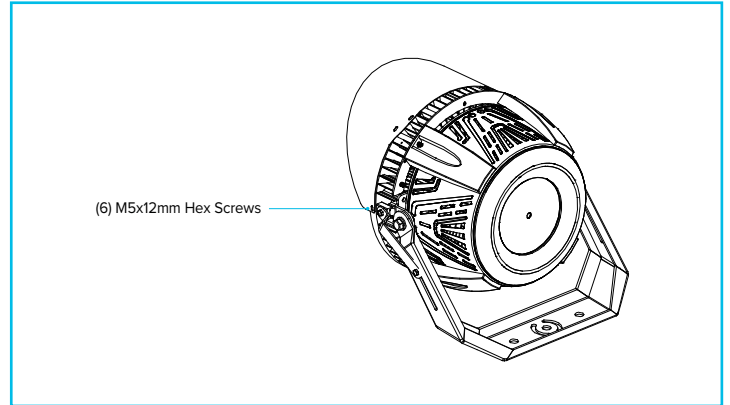


2: The Yoke can be adjusted to a desired tilt angle and has a tilt range of 240°. To adjust the angle loosen the center bolt and the two lever bolts, adjust the angle of the fixture, and then tighten the center bolt and two lever bolts.

Light Barrier Installation - 750W/1000W/1200W/1250W

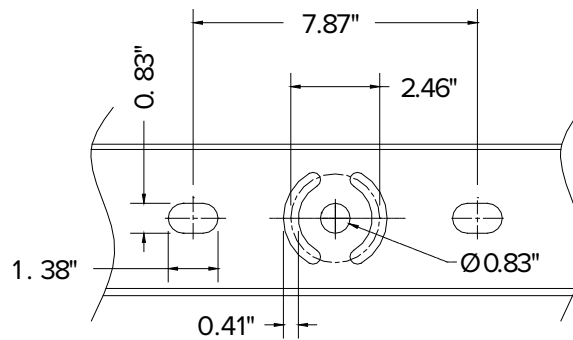


3: Place the light barrier on the fixture body.

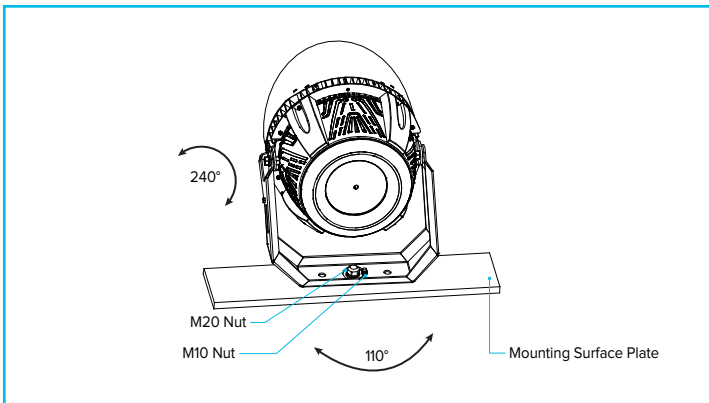


4: Fasten the light barrier to the fixture body using the 6 M5x12mm hex screws.

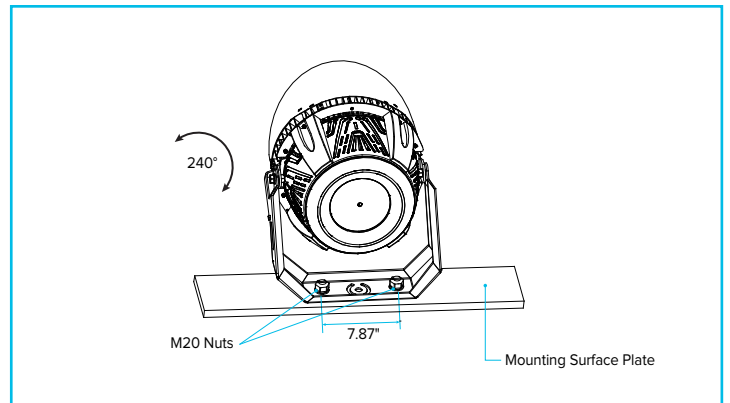
Yoke Mount Bolt Pattern



Installation - Yoke Mount

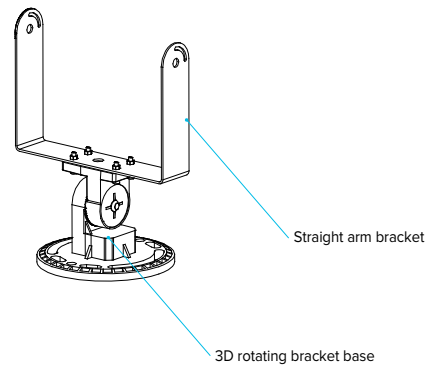
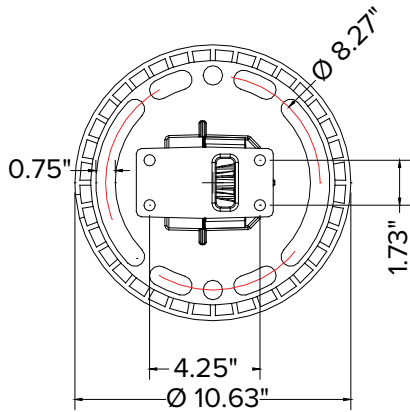


1: Place SPT Series fixture on mounting surface plate. Tighten the fixture to the mounting plate using the M20 and M10 screws (do not tighten down fully). Adjust the fixture to its desired position vertically (240°) and horizontally (110°).

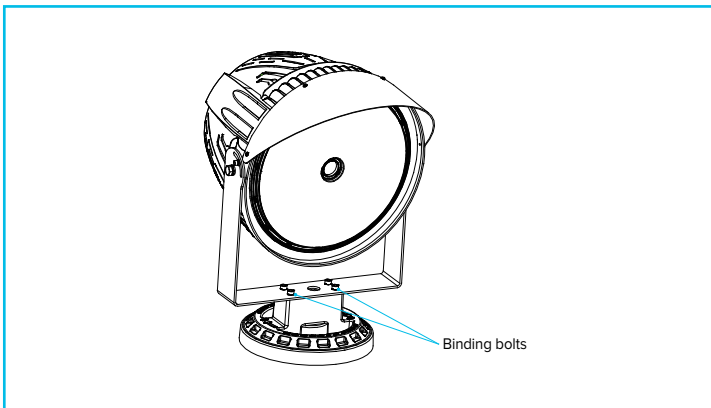


2: Once the fixture is in its desired position fully tighten all screws.

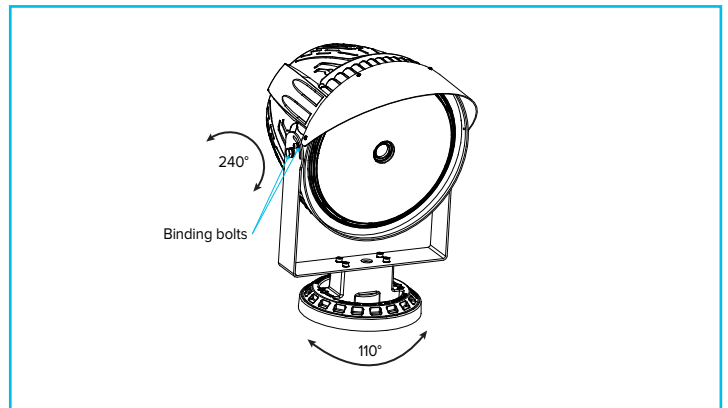
Straight Arm Rotating Bracket Bolt Pattern



Installation - Straight Arm Rotating Bracket

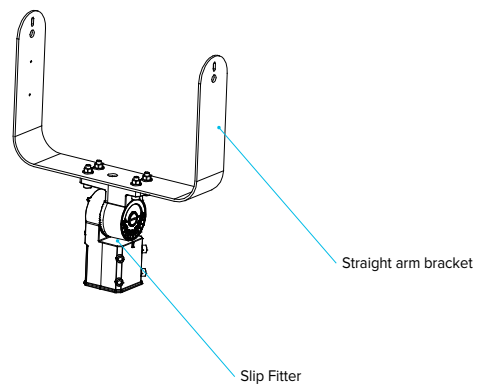
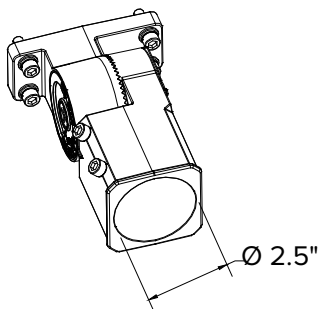


1: Mount the SPT Fixture to the Straight Arm Rotating Bracket.

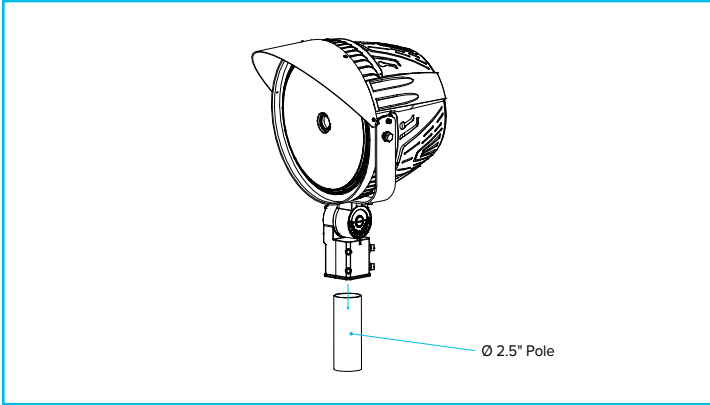


2: Adjust the fixture to its desired position vertically (240°) and horizontally (110°). Once the fixture is in its desired position fully tighten all screws.

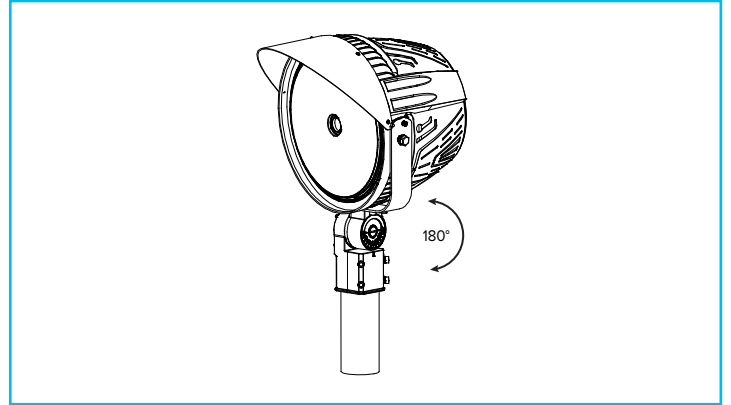
Slip Fitter Mount



Installation - Slip Fitter



1: Mount the SPT Fixture to the Slip Fitter Mount. Place the fixture onto the mounting pole.



2: Adjust the fixture to it's desired position vertically (180°) and on the mounting pole. Once the fixture is in its desired position fully tighten all screws.

Wiring Diagram

