

Key Features & Benefits:

- Selectable Kelvin
2700K–3000K–3500K–4000K–5000K
- Triac Dimmable (120VAC)
- 90 CRI
- 5 Year Warranty

Project: _____

Date: _____

Catalog #: _____

Notes: _____

Product Specifications:

Wattage: 10 Watts

Selectable Kelvin:

2700K–3000K–3500K–4000K–5000K

Lumen Output: Up to 750

Efficacy (lm/W): Up to 75 Lumens per Watt

Input Voltage: 120 VAC

CRI: 90+

Base: E26

Operational Lifetime: 15,000 hrs

Dimensions: Ø 3.72" x 4.49" H



5 CCT
SELECTABLE
KELVIN

Ordering Guide:

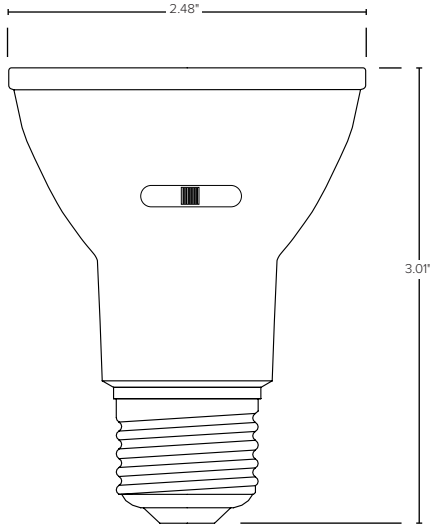
ESL	-	TYPE	-	WATTS	-	GENERATION	-	SELECTABLE KELVIN
ESL	-	PAR30 <small>(PAR30) PAR30 Lamp</small>	-	9W <small>(9W) 9 Watts</small>	-	1 <small>(1) 1st Generation</small>	-	2750 <small>(2750) 2700K–3000K–3500K–4000K–5000K</small>

Catalog Data:

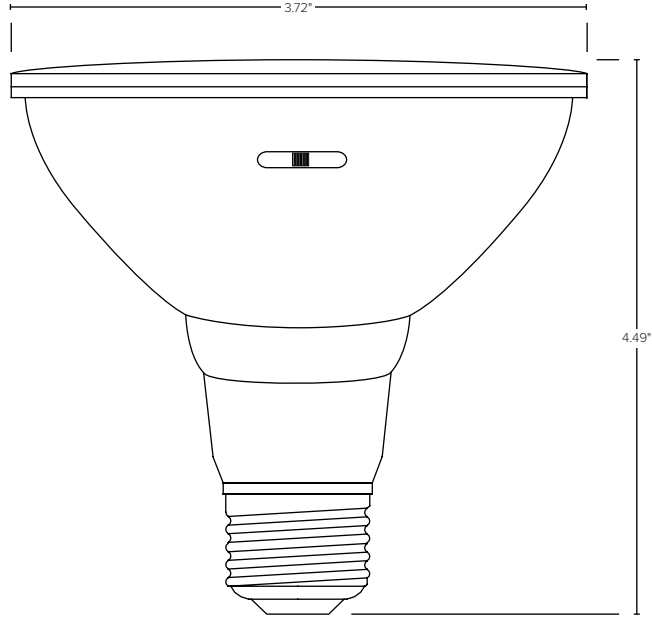
ITEM#	WATTAGE	WATTAGE EQUIVALENCY	SELECTABLE KELVIN	MAX LUMEN OUTPUT	MAX EFFICACY (lm/w)	DIMENSIONS
ESL-PAR20-7W-12750	7W	50W	2700K–3000K–3500K–4000K–5000K	500	71	Ø 2.48" x H 3.01"
ESL-PAR30-10W-12750	10W	75W	2700K–3000K–3500K–4000K–5000K	750	75	Ø 3.72" x H 4.49"
ESL-PAR38-13W-12750	13W	90W	2700K–3000K–3500K–4000K–5000K	1,050	81	Ø 4.72" x H 5.18"



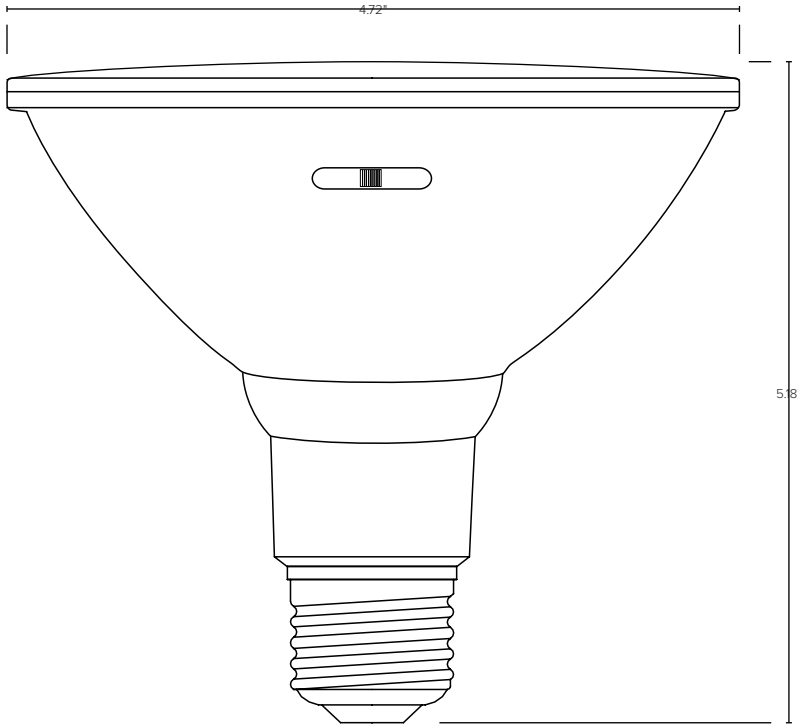
Dimensions:



PAR20 7W



PAR30 10W



PAR38 13W

Compatible Dimmers:

COMPATIBLE DIMMERS
6674 LEVITON
DVCL-153P LUTRON
CTCL-153P LUTRON
TGCL-153P LUTRON
MAELV-600 LUTRON