



LED WAFER ROUND

► **DESIGN** - LED WAFER ROUND with a classic, low-profile design is an ideal solution for low ceilings. This fixture has a J-box, plug & twist connector, spring-loaded clips, and requires only 2" of ceiling space, making the installation process quick and easy. The acrylic lens with a 110° beam angle and CRI90+ grants you even light. It is designed to operate on 120V circuits, it offers smooth dimming capabilities from 10% to 100%.

► **VARIETY** - This fixture is available in round shapes, with sizes of 3", 4", 6", 8", and 12". Choose from White, Black, Nickel, or Bronze finishes.

► **COLOR SELECTABLE** - You can choose either a 2700K soft white, 3000K warm white, 3500K neutral white, 4000K cool white, or 5000K daylight color temperature.

► **INSTALLATION** - This fixture is IC rated so there is no can or any other housing required. It is also Wet Locations rated, making it perfect for kitchen, bathroom or any other common areas.

► **ADVANTAGES** - With a lifespan of 54,000 hours, these fixtures are made to last decades under normal operation! ASD provides a 5-year limited warranty along with ETL, Energy Star and T24 certifications to guarantee top quality products and safety!



PRODUCT PRESENTATION:

Model	Size	Power	Voltage	Dimming	Lumens	CCT	Finish	Dimensions	Certification
ASD-JBR-3D6WH	3 inch	6 W	120V	Triac	499lm	2,700/3,000/3,500/4,000/5,000K	White	3-5/8" x 3-5/8" x 7/8"	ETL (5029309), ES, T24, JA8
ASD-JBR-3D6BK	3 inch	6 W	120V	Triac	499lm	2,700/3,000/3,500/4,000/5,000K	Black	3-5/8" x 3-5/8" x 7/8"	ETL (5029309), ES, T24, JA8
ASD-JBR-3D6NK-6P	3 inch	6 W	120V	Triac	499lm	2,700/3,000/3,500/4,000/5,000K	Nickel	3-5/8" x 3-5/8" x 7/8"	ETL (5029309), ES, T24, JA8
ASD-JBR-3D6BR-6P	3 inch	6 W	120V	Triac	499lm	2,700/3,000/3,500/4,000/5,000K	Bronze	3-5/8" x 3-5/8" x 7/8"	ETL (5029309), ES, T24, JA8
ASD-JBR-3D6WH-12P	3 inch	6 W	120V	Triac	499lm	2,700/3,000/3,500/4,000/5,000K	White	3-5/8" x 3-5/8" x 7/8"	ETL (5029309), ES, T24, JA8
ASD-JBR-3D6BK-12P	3 inch	6 W	120V	Triac	499lm	2,700/3,000/3,500/4,000/5,000K	Black	3-5/8" x 3-5/8" x 7/8"	ETL (5029309), ES, T24, JA8
ASD-JBR-4D9WH-6P	4 inch	9 W	120V	Triac	831lm	2,700/3,000/3,500/4,000/5,000K	White	4-15/16" x 4-15/16" x 7/8"	ETL (5029309), ES, T24, JA8
ASD-JBR-4D9NK-6P	4 inch	9 W	120V	Triac	831lm	2,700/3,000/3,500/4,000/5,000K	Nickel	4-15/16" x 4-15/16" x 7/8"	ETL (5029309), ES, T24, JA8
ASD-JBR-4D9BR-6P	4 inch	9 W	120V	Triac	831lm	2,700/3,000/3,500/4,000/5,000K	Bronze	4-15/16" x 4-15/16" x 7/8"	ETL (5029309), ES, T24, JA8
ASD-JBR-4D9BK-6P	4 inch	9 W	120V	Triac	831lm	2,700/3,000/3,500/4,000/5,000K	Black	4-15/16" x 4-15/16" x 7/8"	ETL (5029309), ES, T24, JA8
ASD-JBR-4D9WH-12P	4 inch	9 W	120V	Triac	831lm	2,700/3,000/3,500/4,000/5,000K	White	4-15/16" x 4-15/16" x 7/8"	ETL (5029309), ES, T24, JA8
ASD-JBR-4D9BK-12P	4 inch	9 W	120V	Triac	831lm	2,700/3,000/3,500/4,000/5,000K	Black	4-15/16" x 4-15/16" x 7/8"	ETL (5029309), ES, T24, JA8
ASD-JBR-4D12WH	4 inch	12 W	120V	Triac	1,011lm	2,700/3,000/3,500/4,000/5,000K	White	4-15/16" x 4-15/16" x 7/8"	ETL (5029309), ES, T24, JA8
ASD-JBR-4D12BK	4 inch	12 W	120V	Triac	1,011lm	2,700/3,000/3,500/4,000/5,000K	Black	4-15/16" x 4-15/16" x 7/8"	ETL (5029309), ES, T24, JA8
ASD-JBR-4D12WH-12P	4 inch	12 W	120V	Triac	1,011lm	2,700/3,000/3,500/4,000/5,000K	White	4-15/16" x 4-15/16" x 7/8"	ETL (5029309), ES, T24, JA8
ASD-JBR-6D12WH-6P	6 inch	12 W	120V	Triac	1,040lm	2,700/3,000/3,500/4,000/5,000K	White	6-7/8" x 6-7/8" x 15/16"	ETL (5029309), ES, T24, JA8
ASD-JBR-6D12NK-6P	6 inch	12 W	120V	Triac	1,040lm	2,700/3,000/3,500/4,000/5,000K	Nickel	6-7/8" x 6-7/8" x 15/16"	ETL (5029309), ES, T24, JA8
ASD-JBR-6D12BR-6P	6 inch	12 W	120V	Triac	1,040lm	2,700/3,000/3,500/4,000/5,000K	Bronze	6-7/8" x 6-7/8" x 15/16"	ETL (5029309), ES, T24, JA8
ASD-JBR-6D12BK-6P	6 inch	12 W	120V	Triac	1,040lm	2,700/3,000/3,500/4,000/5,000K	Black	6-7/8" x 6-7/8" x 15/16"	ETL (5029309), ES, T24, JA8
ASD-JBR-6D12WH-12P	6 inch	12 W	120V	Triac	1,040lm	2,700/3,000/3,500/4,000/5,000K	White	6-7/8" x 6-7/8" x 15/16"	ETL (5029309), ES, T24, JA8
ASD-JBR-6D12BK-12P	6 inch	12 W	120V	Triac	1,040lm	2,700/3,000/3,500/4,000/5,000K	Black	6-7/8" x 6-7/8" x 15/16"	ETL (5029309), ES, T24, JA8

For most up-to-date spec sheets please refer to asd-lighting.com

ASD LIGHTING CORP

E-mail: orders@asd-lighting.com | Web site: www.asd-lighting.com





LED WAFER ROUND

Model	Size	Power	Voltage	Dimming	Lumens	CCT	Finish	Dimensions	Certification
ASD-JBR-6D15WH	6 inch	15 W	120V	Triac	1,278lm	2,700/3,000/3,500/4,000/5,000K	White	6-7/8" x 6-7/8" x 15/16"	ETL (5029309), ES, T24, JA8
ASD-JBR-6D15BK	6 inch	15 W	120V	Triac	1,278lm	2,700/3,000/3,500/4,000/5,000K	Black	6-7/8" x 6-7/8" x 15/16"	ETL (5029309), ES, T24, JA8
ASD-JBR-6D15WH-12P	6 inch	15 W	120V	Triac	1,278lm	2,700/3,000/3,500/4,000/5,000K	Black	6-7/8" x 6-7/8" x 15/16"	ETL (5029309), ES, T24, JA8
ASD-JBR-8D20WH	8 inch	20 W	120V	Triac	1,685lm	2,700/3,000/3,500/4,000/5,000K	White	8-13/16" x 8-13/16" x 15/16"	ETL (5029309), ES, T24, JA8
ASD-JBR-8D20BK	8 inch	20 W	120V	Triac	1,685lm	2,700/3,000/3,500/4,000/5,000K	Black	8-13/16" x 8-13/16" x 15/16"	ETL (5029309), ES, T24, JA8
ASD-JBR-12D24WH	12 inch	24 W	120V	Triac	2,046lm	2,700/3,000/3,500/4,000/5,000K	White	11-7/8" x 11-7/8" x 7/8"	ETL (5029309), ES, T24, JA8
ASD-JBR-12D24BK	12 inch	24 W	120V	Triac	2,046lm	2,700/3,000/3,500/4,000/5,000K	Black	11-7/8" x 11-7/8" x 7/8"	ETL (5029309), ES, T24, JA8

TECHNICAL PARAMETERS:

Model	Work environment	Operating temperature	Power factor	Surge protection	Housing	Lens	CRI
ASD-JBR-3D6WH	Wet location	-4°F to 113°F (-20°C to 45°C)	> 0.9	2kV	Aluminum	PC	> 90
ASD-JBR-3D6BK	Wet location	-4°F to 113°F (-20°C to 45°C)	> 0.9	2kV	Aluminum	PC	> 90
ASD-JBR-3D6NK-6P	Wet location	-4°F to 113°F (-20°C to 45°C)	> 0.9	2kV	Aluminum	PC	> 90
ASD-JBR-3D6BR-6P	Wet location	-4°F to 113°F (-20°C to 45°C)	> 0.9	2kV	Aluminum	PC	> 90
ASD-JBR-3D6WH-12P	Wet location	-4°F to 113°F (-20°C to 45°C)	> 0.9	2kV	Aluminum	PC	> 90
ASD-JBR-3D6BK-12P	Wet location	-4°F to 113°F (-20°C to 45°C)	> 0.9	2kV	Aluminum	PC	> 90
ASD-JBR-4D9WH-6P	Wet location	-4°F to 113°F (-20°C to 45°C)	> 0.9	2kV	Aluminum	PC	> 90
ASD-JBR-4D9NK-6P	Wet location	-4°F to 113°F (-20°C to 45°C)	> 0.9	2kV	Aluminum	PC	> 90
ASD-JBR-4D9BR-6P	Wet location	-4°F to 113°F (-20°C to 45°C)	> 0.9	2kV	Aluminum	PC	> 90
ASD-JBR-4D9BK-6P	Wet location	-4°F to 113°F (-20°C to 45°C)	> 0.9	2kV	Aluminum	PC	> 90
ASD-JBR-4D9WH-12P	Wet location	-4°F to 113°F (-20°C to 45°C)	> 0.9	2kV	Aluminum	PC	> 90
ASD-JBR-4D9BK-12P	Wet location	-4°F to 113°F (-20°C to 45°C)	> 0.9	2kV	Aluminum	PC	> 90
ASD-JBR-4D12WH	Wet location	-4°F to 113°F (-20°C to 45°C)	> 0.9	2kV	Aluminum	PC	> 90
ASD-JBR-4D12BK	Wet location	-4°F to 113°F (-20°C to 45°C)	> 0.9	2kV	Aluminum	PC	> 90
ASD-JBR-4D12WH-12P	Wet location	-4°F to 113°F (-20°C to 45°C)	> 0.9	2kV	Aluminum	PC	> 90
ASD-JBR-6D12WH-6P	Wet location	-4°F to 113°F (-20°C to 45°C)	> 0.9	2kV	Aluminum	PC	> 90
ASD-JBR-6D12NK-6P	Wet location	-4°F to 113°F (-20°C to 45°C)	> 0.9	2kV	Aluminum	PC	> 90
ASD-JBR-6D12BR-6P	Wet location	-4°F to 113°F (-20°C to 45°C)	> 0.9	2kV	Aluminum	PC	> 90
ASD-JBR-6D12BK-6P	Wet location	-4°F to 113°F (-20°C to 45°C)	> 0.9	2kV	Aluminum	PC	> 90
ASD-JBR-6D12WH-12P	Wet location	-4°F to 113°F (-20°C to 45°C)	> 0.9	2kV	Aluminum	PC	> 90
ASD-JBR-6D12BK-12P	Wet location	-4°F to 113°F (-20°C to 45°C)	> 0.9	2kV	Aluminum	PC	> 90
ASD-JBR-6D15WH	Wet location	-4°F to 113°F (-20°C to 45°C)	> 0.9	2kV	Aluminum	PC	> 90
ASD-JBR-6D15BK	Wet location	-4°F to 113°F (-20°C to 45°C)	> 0.9	2kV	Aluminum	PC	> 90
ASD-JBR-6D15WH-12P	Wet location	-4°F to 113°F (-20°C to 45°C)	> 0.9	2kV	Aluminum	PC	> 90
ASD-JBR-8D20WH	Wet location	-4°F to 113°F (-20°C to 45°C)	> 0.9	2kV	Aluminum	PC	> 90
ASD-JBR-8D20BK	Wet location	-4°F to 113°F (-20°C to 45°C)	> 0.9	2kV	Aluminum	PC	> 90
ASD-JBR-12D24WH	Wet location	-4°F to 113°F (-20°C to 45°C)	> 0.9	2kV	Aluminum	PC	> 90
ASD-JBR-12D24BK	Wet location	-4°F to 113°F (-20°C to 45°C)	> 0.9	2kV	Aluminum	PC	> 90

DIMMING COMPATIBLE CONTROLS:

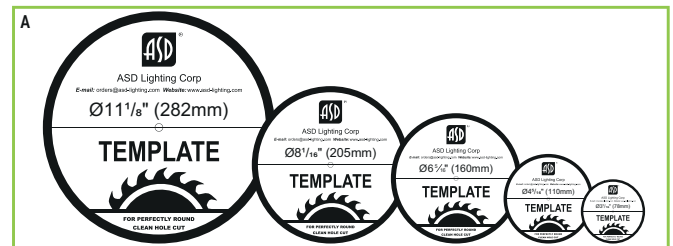
Brand	Leviton	Lutron		
Models	R00-RNL06-TW	CT-600PR	TGCL-153PR	SCL-153PR
	R50-IPL06-10M	MSCL-OP153MH	MA-RR	P-PKG1W-WH-R
		DVWCL-153PH	DVCL-153PR	MACL-153MH

DIMENSIONS JUNCTION BOX:

Fixture	Jbox size inch	Jbox size mm
3, 4, 6, 8 inch	3-15/16" x 2-11/16" x 1-6/16"	100mm x 68mm x 34mm
12 inch	4-12/16" x 2-12/16" x 1-6/16"	120mm x 70mm x 34mm

PACKAGE CONTENTS:

Description	Quantity
LED Round Wafer Recessed Mini Panel	1 (6 for 6PACK, 6P; 12 for 12PACK, 12P)
Template for 3, 4, 6, 8 or 12 inch (A)	1
Box	1



TEMPLATE SIZE:

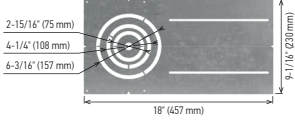
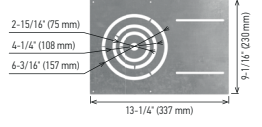
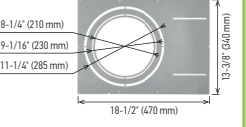
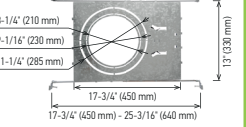
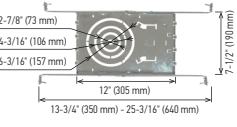
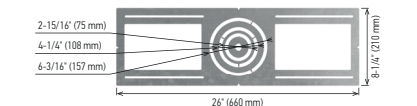
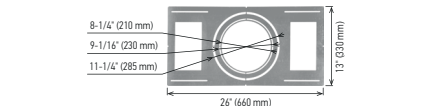

Fixture	Template size
3 inch	3-1/16" (78 mm)
4 inch	4-5/16" (110 mm)
6 inch	6-5/16" (160 mm)
8 inch	8-1/16" (205 mm)
12 inch	11-1/8" (282 mm)

For most up-to-date spec sheets please refer to asd-lighting.com



LED WAFER ROUND

ACCESSORIES (sold separately):

New construction flat mounting plate 18" with asymmetric round holes 3-4-6" ASD-MPLR-18-346-FA 	New construction flat mounting plate with asymmetric round holes 3-4-6" ASD-MPLR-346-FA 	New construction flat mounting plate with asymmetric round holes 8-10-12" ASD-MPLR-81012-FA 	New construction mounting plate with round holes and sliding clips 8-10-12" ASD-MPLR-81012-SC 	New construction mounting plate with round holes and sliding clips 3-4-6" ASD-MPLR-346-SC 
New construction flat mounting plate with symmetric round holes 3-4-6" ASD-MPLR-346-FS 	New construction flat mounting plate with symmetric round holes 8-10-12" ASD-MPLR-81012-FS 	Extension cord 3PIN  10" ASD-EC-10A 20" ASD-EC-20A		

ACCESSORY COMPATIBILITY LIST:

Accessories		Model							
		New construction flat mounting plate with asymmetric round holes 3-4-6" ASD-MPLR-346-FA	New construction flat mounting plate 18" with asymmetric round holes 3-4-6" ASD-MPLR-18-346-FA	New construction flat mounting plate with asymmetric round holes 8-10-12" ASD-MPLR-81012-FA	New construction flat mounting plate with symmetric round holes 3-4-6" ASD-MPLR-346-FS	New construction flat mounting plate with symmetric round holes 8-10-12" ASD-MPLR-81012-FS	New construction mounting plate with round holes and sliding clips 3-4-6" ASD-MPLR-346-SC	New construction mounting plate with round holes and sliding clips 8-10-12" ASD-MPLR-81012-SC	Extension cord 3PIN ASD-EC-10A ASD-EC-20A
ASD-JBR	3"	•	•		•		•	•	
	4"	•	•		•		•	•	
	6"	•	•		•		•	•	
	8"			•		•		•	
	12"			•		•		•	

For most up-to-date spec sheets please refer to asd-lighting.com

ASD® LED WAFER ROUND

INSTALLATION GUIDE

IMPORTANT SAFETY INFORMATION:

Please read all the instructions below before installation!

- ▶ Make sure that the supply voltage corresponds to the rated product voltage.
- ▶ The product must be installed by a qualified electrician in accordance with the National Electrical Code and corresponding local codes.
- ▶ If the product is damaged, do not use it.

⚠ WARNING

Risk of personal injury – read and follow all warnings and installation instructions. Keep or give to the owner for future reference.

Risk of cuts: Wear gloves to prevent cuts or abrasions when removing from carton, handling, installing, and maintaining this product.

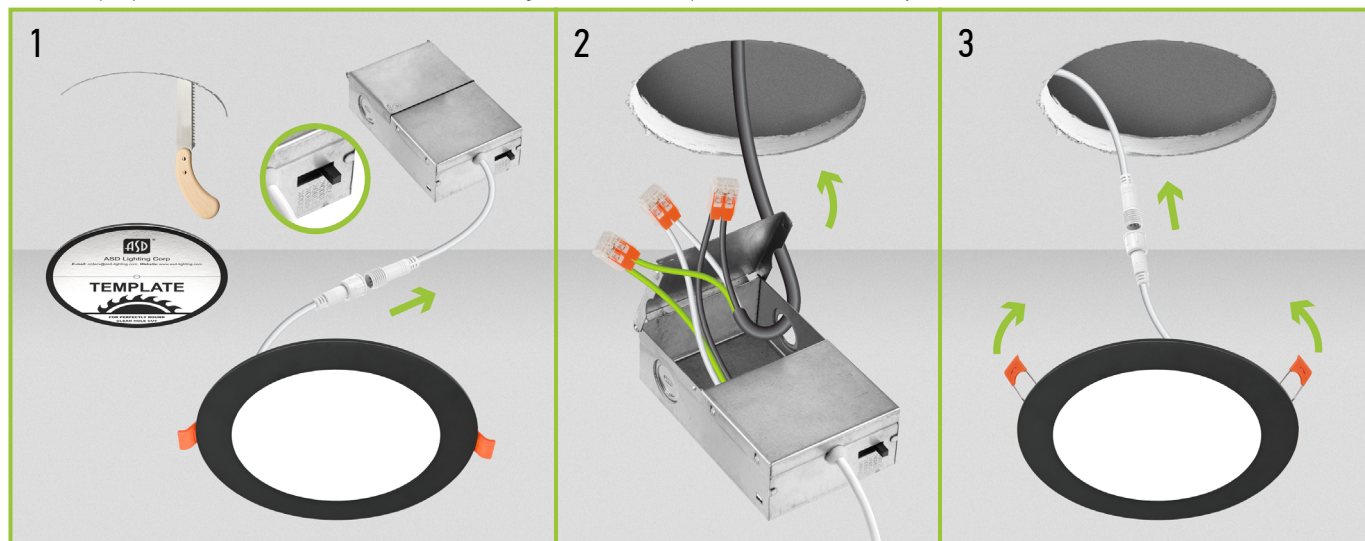
Risk of electric shock: This product must be installed in accordance with the applicable installation code by a person familiar with the construction and operation of the product and the hazards involved.

Risk of Fire: Minimum 194°F supply conductors. Consult a qualified electrician to ensure correct branch circuit conductor.

ASD® assumes no responsibility for claims arising out of improper or careless installation or handling of this product.

INSTALLATION STEPS:

1. Use template to cut an appropriate sized hole. Disconnect the fixture from the junction box. Choose needed color temperature by adjusting the switch. Close the junction box.
2. Open junction box. Connect the wires: Black to Black, White to White, Copper to Green. Secure the connection with quick connector.
3. Insert the junction box into the cut hole, leaving the connection cable outside. Connect the fixture to the Junction box inserting the cable and securing it with a cap. Push the spring loaded clips upwards and insert the fixture base into the mounting hole. Release the clips, so the fixture fits securely.

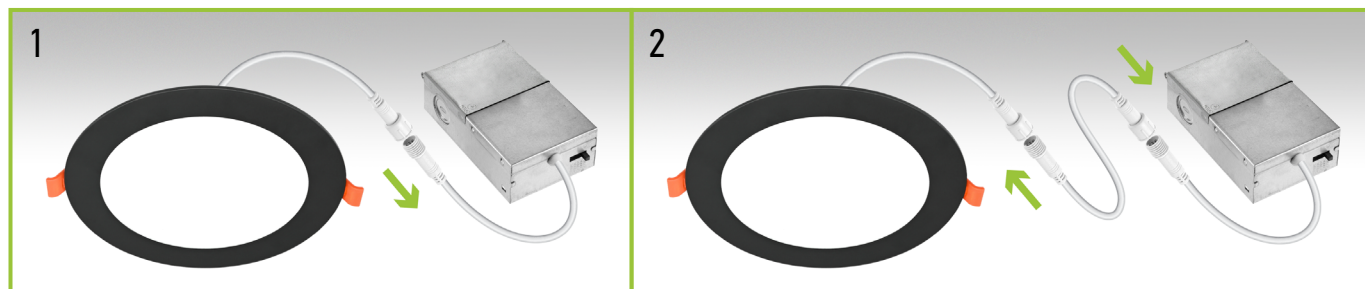


* The fixture is suitable for ceiling thickness less than 0.5 inch.

EXTENSION CORD INSTALLATION:

ASD-EC-10A **ASD-EC-20A** sold separately

1. Disconnect the LED Mini Panel cable from the Junction box cable.
2. Connect one end of the Extension Cord to the LED Mini Panel cable, and the other end of the Extension Cord to the Junction box cable.



For most up-to-date spec sheets please refer to asd-lighting.com



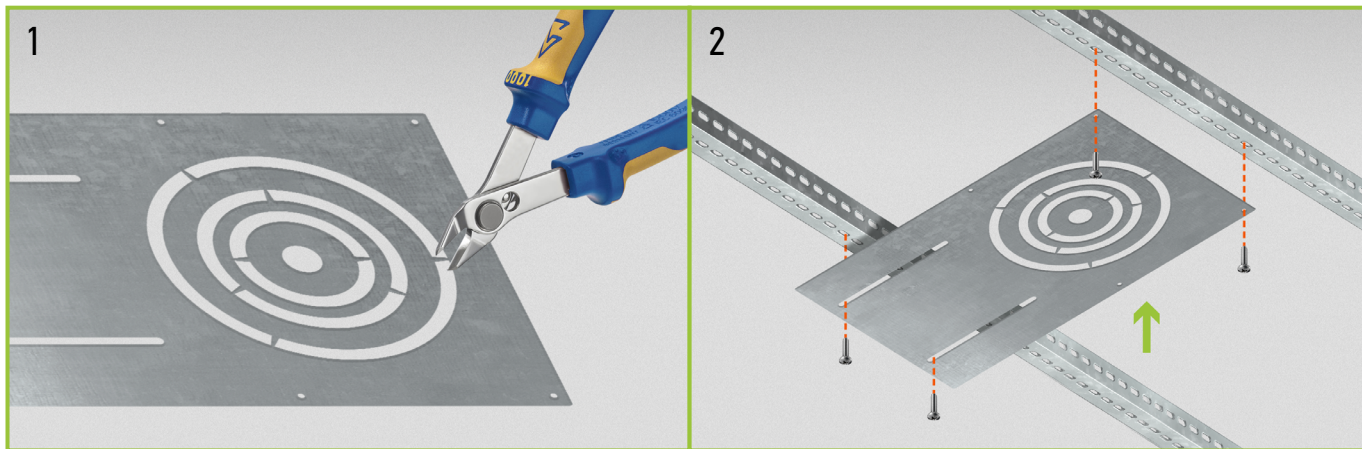
LED WAFER ROUND

MOUNTING PLATE INSTALLATION:

ASD-MPLR-346-FA ASD-MPLR18-346-FA ASD-MPLR-81012-FA

ASD-MPLR-346-FS ASD-MPLR-81012-FS ASD-MPLR-81012-SC ASD-MPLR-346-SC sold separately

1. Remove the metal ring from the mounting plate according to the size of fixture.
2. Place the mounting plate and secure its position with screws on the beams.



For most up-to-date spec sheets please refer to asd-lighting.com

ASD LIGHTING CORP

E-mail: orders@asd-lighting.com | Web site: www.asd-lighting.com





LED WAFER ROUND

ORDERING INFORMATION

Model	Product dimensions	Weight	Pcs. (pack) per carton	Carton size	Carton weight	UPC	GTIN 14
ASD-JBR-3D6WH	3-5/8" x 3-5/8" x 7/8"	0.4 lbs (0.2 kg)	6	8.5" x 8.5" x 5.7"	4 lbs	00810190201039	10810190201036
ASD-JBR-3D6BK	3-5/8" x 3-5/8" x 7/8"	0.4 lbs (0.2 kg)	6	8.5" x 8.5" x 5.7"	4 lbs	00810190201015	10810190201012
ASD-JBR-3D6NK-6P	3-5/8" x 3-5/8" x 7/8"	2.7 lbs (1.2 kg)	6	10" x 8.9" x 4.5"	3.5 lbs	00810190201329	-
ASD-JBR-3D6BR-6P	3-5/8" x 3-5/8" x 7/8"	2.7 lbs (1.2 kg)	6	10" x 8.9" x 4.5"	3.5 lbs	00810190201312	-
ASD-JBR-3D6WH-12P	3-5/8" x 3-5/8" x 7/8"	5.3 lbs (2.4 kg)	12(1)	17.2" x 10" x 4.5"	7.8 lbs	00810190201046	-
ASD-JBR-3D6BK-12P	3-5/8" x 3-5/8" x 7/8"	5.3 lbs (2.4 kg)	12(1)	17.2" x 10" x 4.5"	7.8 lbs	00810190201022	-
ASD-JBR-4D9WH-6P	4-15/16" x 4-15/16" x 7/8"	3.5 lbs (1.6 kg)	6	13" x 6.1" x 5.7"	4.6 lbs	00810190200162	-
ASD-JBR-4D9NK-6P	4-15/16" x 4-15/16" x 7/8"	3.5 lbs (1.6 kg)	6	13" x 6.1" x 5.7"	4.6 lbs	00810190201381	-
ASD-JBR-4D9BR-6P	4-15/16" x 4-15/16" x 7/8"	3.5 lbs (1.6 kg)	6	13" x 6.1" x 5.7"	4.6 lbs	00810190201374	-
ASD-JBR-4D9BK-6P	4-15/16" x 4-15/16" x 7/8"	3.5 lbs (1.6 kg)	6	13" x 6.1" x 5.7"	4.6 lbs	00810190200148	-
ASD-JBR-4D9WH-12P	4-15/16" x 4-15/16" x 7/8"	7.1 lbs (3.2 kg)	12(1)	13" x 12" x 5.7"	8.6 lbs	00810190201555	-
ASD-JBR-4D9BK-12P	4-15/16" x 4-15/16" x 7/8"	7.1 lbs (3.2 kg)	12(1)	13" x 12" x 5.7"	8.6 lbs	00810190201367	-
ASD-JBR-4D12WH	4-15/16" x 4-15/16" x 7/8"	0.6 lbs (0.2 kg)	6	10.8" x 8.2" x 5.9"	4.6 lbs	00810190201343	10810190201340
ASD-JBR-4D12BK	4-15/16" x 4-15/16" x 7/8"	0.6 lbs (0.2 kg)	6	10.8" x 8.2" x 5.9"	4.6 lbs	00810190201336	10810190201333
ASD-JBR-4D12WH-12P	4-15/16" x 4-15/16" x 7/8"	7.1 lbs (3.2 kg)	12(1)	13" x 12" x 5.7"	8.6 lbs	00810190201350	-
ASD-JBR-6D12WH-6P	6-7/8" x 6-7/8" x 15/16"	4.4 lbs (2 kg)	6	8.1" x 7.9" x 7.7"	5.7 lbs	00810190200193	-
ASD-JBR-6D12NK-6P	6-7/8" x 6-7/8" x 15/16"	4.4 lbs (2 kg)	6	8.1" x 7.9" x 7.7"	5.7 lbs	00810190201404	-
ASD-JBR-6D12BR-6P	6-7/8" x 6-7/8" x 15/16"	4.4 lbs (2 kg)	6	8.1" x 7.9" x 7.7"	5.7 lbs	00810190201398	-
ASD-JBR-6D12BK-6P	6-7/8" x 6-7/8" x 15/16"	4.4 lbs (2 kg)	6	8.1" x 7.9" x 7.7"	5.7 lbs	00810190200179	-
ASD-JBR-6D12WH-12P	6-7/8" x 6-7/8" x 15/16"	8.8 lbs (4 kg)	12(1)	15.6" x 8.5" x 7.7"	10.6 lbs	00810190200186	-
ASD-JBR-6D12BK-12P	6-7/8" x 6-7/8" x 15/16"	8.8 lbs (4 kg)	12(1)	15.6" x 8.5" x 7.7"	10.6 lbs	00810190200308	-
ASD-JBR-6D15WH	6-7/8" x 6-7/8" x 15/16"	0.8 lbs (0.3 kg)	6	14.8" x 7.3" x 7.9"	6.6 lbs	00810190200285	10810190200282
ASD-JBR-6D15BK	6-7/8" x 6-7/8" x 15/16"	0.8 lbs (0.3 kg)	6	14.8" x 7.3" x 7.9"	6.6 lbs	00810190201411	10810190201418
ASD-JBR-6D15WH-12P	6-7/8" x 6-7/8" x 15/16"	8.8 lbs (4 kg)	12(1)	15.6" x 8.5" x 7.7"	10.6 lbs	00810190200292	-
ASD-JBR-8D20WH	8-13/16" x 8-13/16" x 15/16"	1.1 lbs (0.5 kg)	4	9.7" x 8.5" x 9.8"	6 lbs	00810190201435	10810190201432
ASD-JBR-8D20BK	8-13/16" x 8-13/16" x 15/16"	1.1 lbs (0.5 kg)	4	9.7" x 8.5" x 9.8"	6 lbs	00810190201428	10810190201425
ASD-JBR-12D24WH	11-7/8" x 11-7/8" x 7/8"	0.7 lbs (1.5 kg)	4	12.3" x 8.7" x 12.7"	7.7 lbs	00810190201053	10810190201050
ASD-JBR-12D24BK	11-7/8" x 11-7/8" x 7/8"	0.7 lbs (1.5 kg)	4	12.3" x 8.7" x 12.7"	7.7 lbs	00810190201442	10810190201449

ACCESSORIES:

Model	Product dimensions	Pcs. (pack) per carton	Carton size	Carton weight	UPC	GTIN 14
ASD-MPLR-346-FA-6PACK	13-1/4" x 9-1/16" x 1/16"	24 (4)	14.4" x 9.8" x 3.2"	18.1 lbs	810050739344	10810050739341
ASD-MPLR18-346-FA-6PACK	18" x 9-1/16" x 1/16"	24 (4)	18.9" x 9.8" x 3.2"	32.9 lbs	810128112826	10810128112823
ASD-MPLR-81012-FA-6PACK	18-1/2" x 13-3/8" x 1/16"	24 (4)	19.5" x 14.2" x 3.2"	37.2 lbs	810128111553	10810128111550
ASD-MPLR-346-FS-6PACK	26" x 8-1/4" x 1/16"	24 (4)	27" x 9.1" x 3.2"	21 lbs	810050739351	10810050739358
ASD-MPLR-81012-FS-6PACK	26" x 13" x 1/16"	24 (4)	27" x 13.8" x 3.2"	42.3 lbs	810128111577	10810128111574
ASD-MPLR-346-SC-6PACK	14-3/8" x 10-9/16" x 1-5/8"	12 (2)	17.3" x 11.9" x 13.4"	17 lbs	810050739337	10810050739334
ASD-MPLR-81012-SC-6PACK	17-11/16" x 13" x 1-9/16"	12 (2)	21.3" x 17.5" x 15.6"	24 lbs	810128111607	10810128111604
ASD-EC-10A-6PACK	10"	60 (10)	7.7" x 6.1" x 5.3"	1.8 lbs	810128110471	10810128110478
ASD-EC-20A-6PACK	20"	60 (10)	7.7" x 6.1" x 5.3"	3.1 lbs	810128110488	10810128110485

For most up-to-date spec sheets please refer to asd-lighting.com

ASD LIGHTING CORP

E-mail: orders@asd-lighting.com | Web site: www.asd-lighting.com

