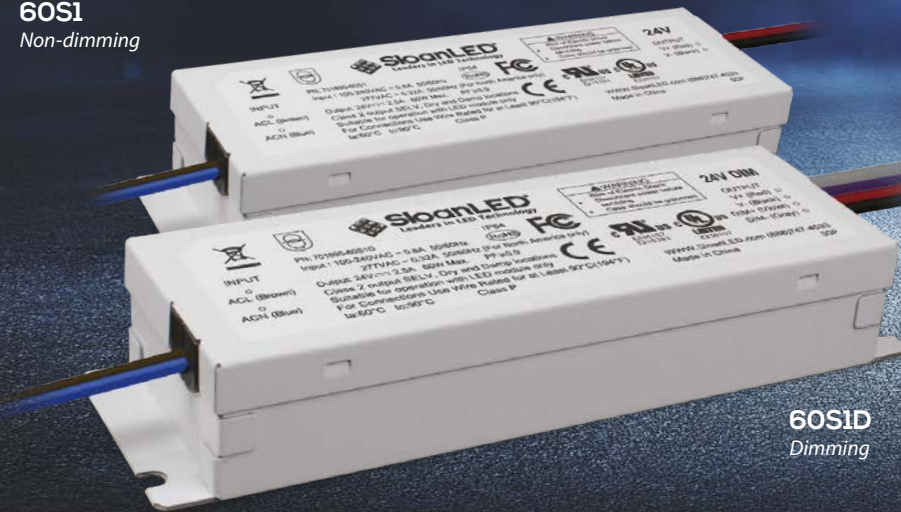


60S1 60 W Power Supply

Dimmable/non-dimmable damp/dry-rated 60 Watt power supplies

24
VDC

60S1
Non-dimming

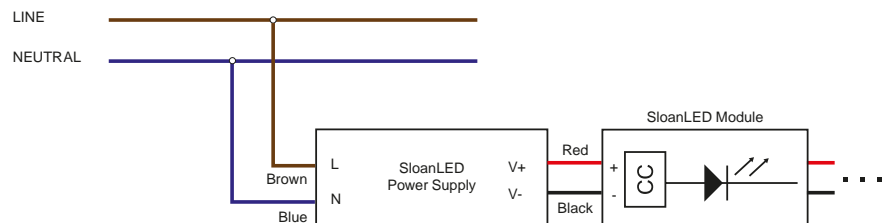


60S1D
Dimming

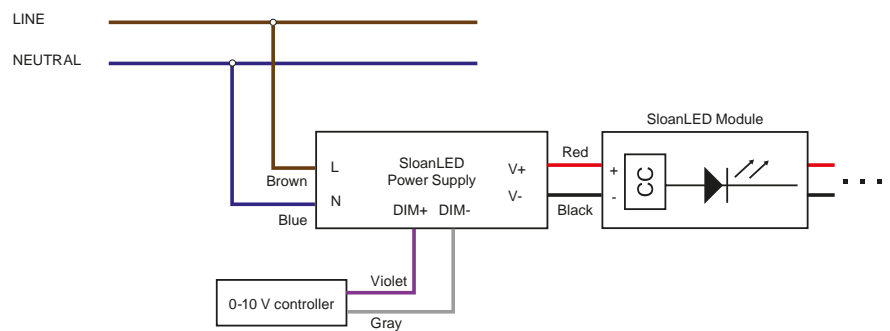
- Universal input voltage – 120-277 VAC (277 VAC North America only), 50-60 Hz
- Constant voltage output at 24 V and 60 W
- Auto-resetting – No fuses to replace or circuit breaker to reset – Short circuit protection automatically resets when short condition is corrected
- 3-Way dimming controls (0-10 V, PWM, resistance), PWM dimming output (701895-60S1D only)
- Simple secondary hook-ups – No minimum load or load balancing required
- 5-year product and limited labor warranty
- Rugged and compact

Wiring diagram

701895-60S1



701895-60S1D



In the end application, the maximum case temperature (T_c) shall not be exceeded 90°C .
The product is intended for dry and damp environment.



60S1 60 W Power Supply

Dimmable/non-dimmable damp/dry-rated 60 Watt power supplies

24
VDC

Specifications

Part number.....701895-60S1 (Non-dimmable)
701895-60S1D (Dimmable)

INPUT

Rated input voltage 120-277 VAC, 277 VAC (North America only)
Max. input voltage 108-305 VAC
Frequency 50-60 Hz
Rated input current 0.8 A max.
Inrush current 70 A max. @ 277 VAC, 60 Hz
Efficiency >88% @ 120 VAC
Power factor >0.95 @ 240 VAC (full-load)
>0.9 @ 277 VAC (65% load)
THD <20% @ 120-277 VAC (full-load)
<20% @ 277 VAC (65% load)

OUTPUT

Rated output voltage 24 VDC
Rated output current 2.5 ADC
Max. output power 60 W
Line regulation < 1%
Load regulation < 3%

PROTECTION

Over current Yes, auto-recovery
Over temperature Yes, 100° C to 110° C case, auto-recovery
Short circuit Yes, auto-recovery
Surge immunity Line – Earth → 4 kV
Line – Neutral → 2 kV

DIMMING (701895-60S1D only)

Dimming method 0-10 V, PWM and resistor
Min. dimming level 1%
Current consumption 0.1 mA sourcing

ENVIRONMENT

Operating ambient temp. -40° C to +60° C, derated up to 70° C with 50% of load
Maximum case temp. 90° C
Storage temp. -40° C to +85° C
IP rating IP64
Lifetime 25,000 hours @ 60° C ambient with 100% load

COMPLIANCE

Safety standard UL8750 Class P Listed, UL879/879A, CE
EMI standard EN55015
Harmonic current emission IEC/EN61000-3-2 Class C
Surge IEC/EN61000-4-5

Wire Gauge Distance Chart for Power Limited Tray Cable (PLTC)

When the distance increases between the secondary side of the power supply and the first LED in a letter or the beginning of a tubing run, the gauge or wire needed will change as follows:

Distance from power supply	Wire gauge
0 ft to 15 ft	18
15 ft to 50 ft	14
50 ft to 100 ft	12
100 ft to 150 ft	10

Power supply output lead length 12"

60S1 60 W Power Supply

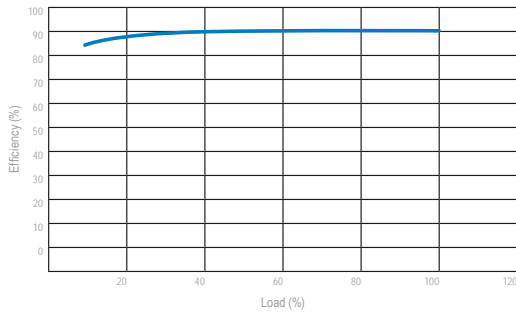
Dimmable/non-dimmable damp/dry-rated 60 Watt power supplies

24
VDC

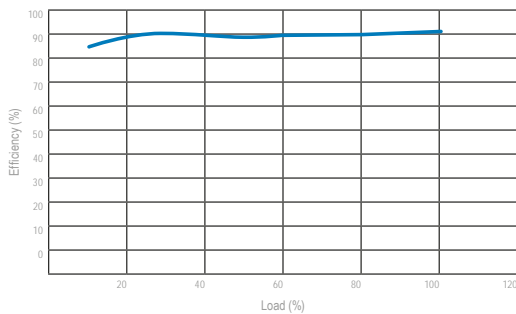
Efficiency

701895-60S1

Efficiency vs various loads @ 240 VAC

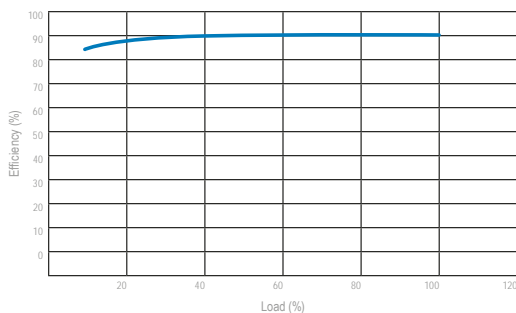


Efficiency vs various loads @ 120 VAC

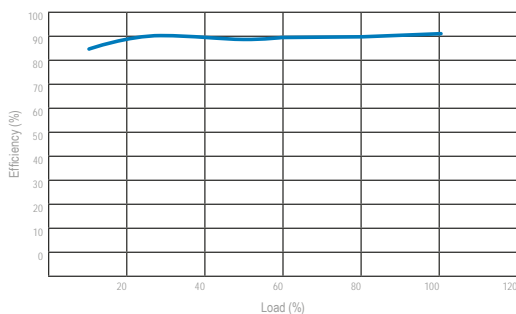


701895-60S1D

Efficiency vs various loads @ 240 VAC



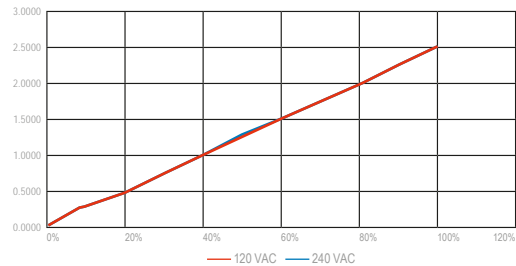
Efficiency vs various loads @ 120 VAC



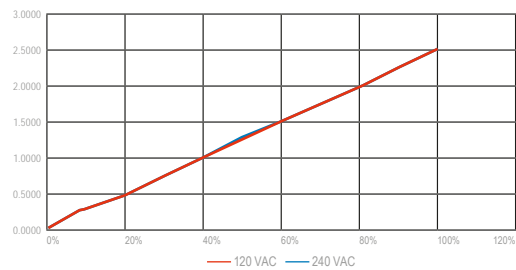
Dimming

701895-60S1D only

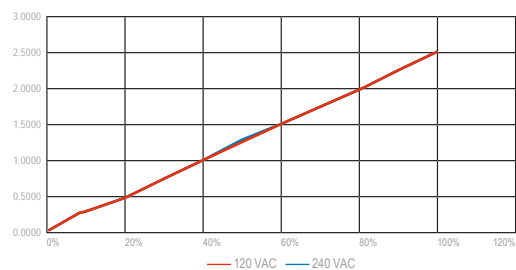
Dimming chart (0-10 V dimming)



Dimming chart (PWM dimming)



Dimming chart (Resistor dimming)



60S1 60 W Power Supply

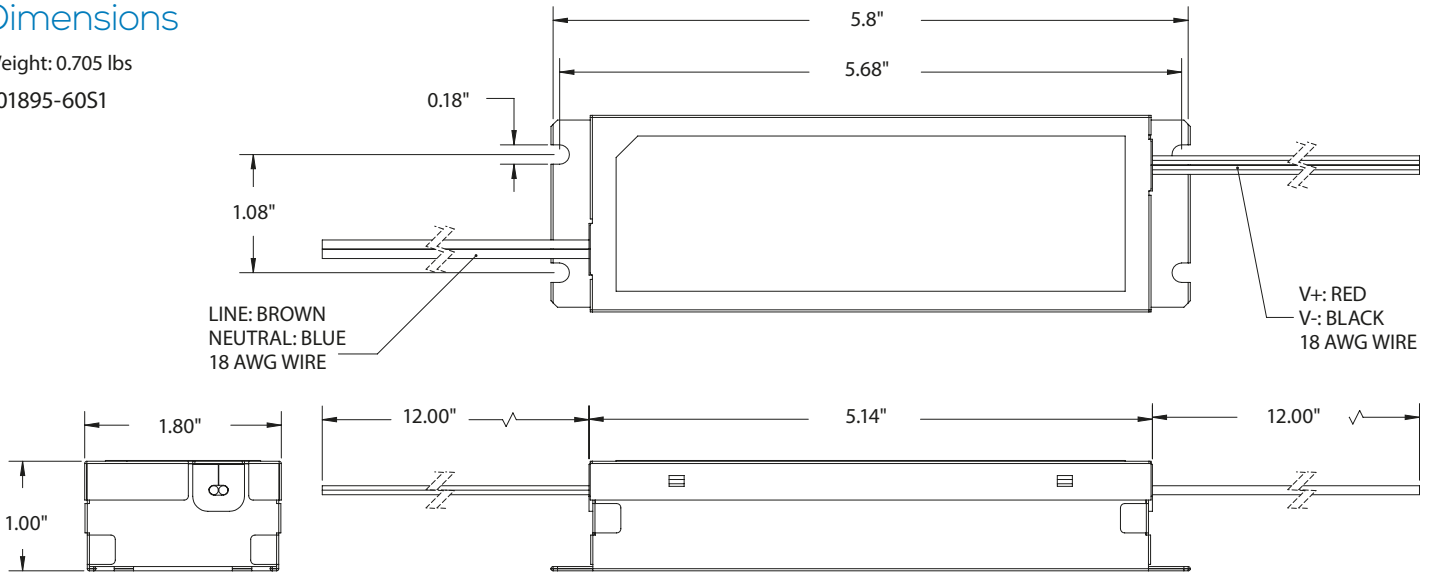
24
VDC

Dimmable/non-dimmable damp/dry-rated 60 Watt power supplies

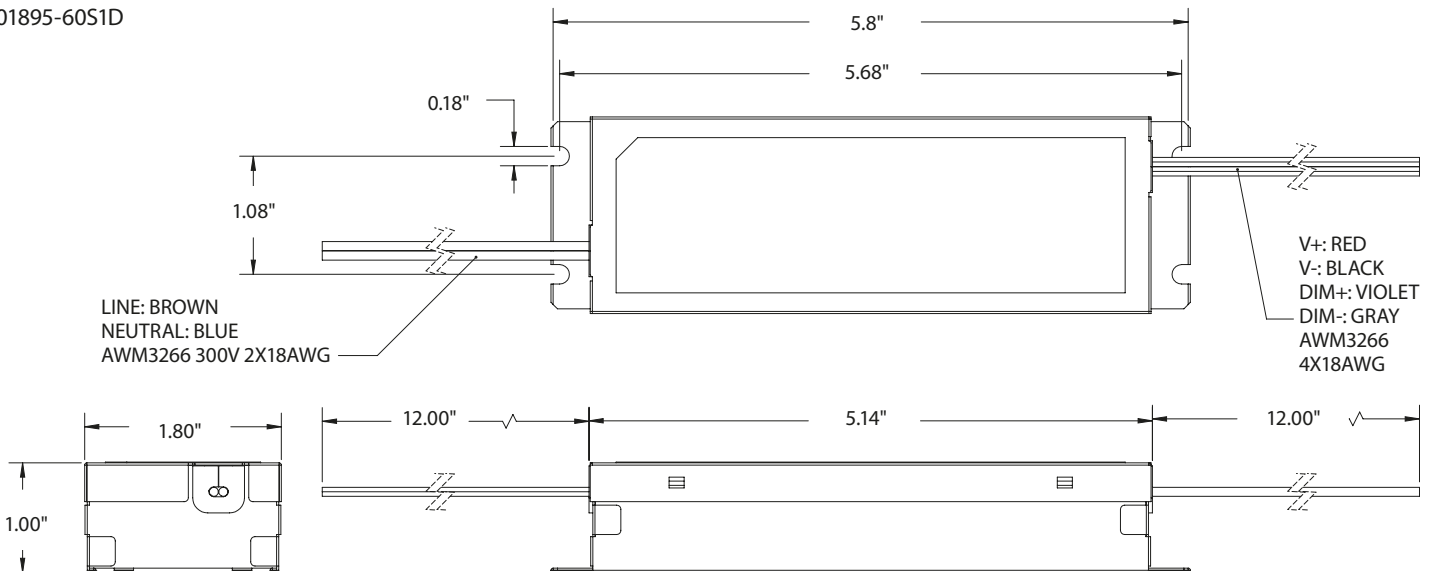
Dimensions

Weight: 0.705 lbs

701895-60S1



701895-60S1D



SloanLED Headquarters

5725 Olivas Park Drive, Ventura, CA, USA
805.676.3200 • info@SloanLED.com

SloanLED Europe b.v.

Argonstraat 110, 2718 SN Zoetermeer, NL
+31 88 12 44 900 • europe@SloanLED.com



SloanLED.com

Specifications subject to change without notice.
© 2022 SloanLED Rev D 2022-08-30



Visit product page
for details.

Specifications subject to change without notice.

